



US008146547B2

(12) **United States Patent**
Lou

(10) **Patent No.:** **US 8,146,547 B2**
(45) **Date of Patent:** ***Apr. 3, 2012**

(54) **VARIABLE VALVE ACTUATOR WITH A PNEUMATIC BOOSTER**

5,988,124 A 11/1999 Duesmann
6,230,472 B1 5/2001 Stahlecker
6,230,742 B1 5/2001 Bircann

(75) Inventor: **Zheng Lou**, Plymouth, MI (US)

(Continued)

(73) Assignee: **Scuderi Group, LLC**, West Springfield, MA (US)

FOREIGN PATENT DOCUMENTS

GB 2250801 A 6/1992

(Continued)

(*) Notice: Subject to any disclaimer, the term of this patent is extended or adjusted under 35 U.S.C. 154(b) by 141 days.

This patent is subject to a terminal disclaimer.

OTHER PUBLICATIONS

U.S. Appl. No. 12/321,789—Final Rejection dated Apr. 4, 2011.

(Continued)

(21) Appl. No.: **12/636,051**

Primary Examiner — Ching Chang

(22) Filed: **Dec. 11, 2009**

(74) *Attorney, Agent, or Firm* — Nutter McClennen & Fish LLP; John J. Penny, Jr.; Michael P. Visconti, III

(65) **Prior Publication Data**

US 2010/0126442 A1 May 27, 2010

(57) **ABSTRACT**

Related U.S. Application Data

(63) Continuation of application No. 12/321,789, filed on Jan. 26, 2009, now Pat. No. 8,051,812, which is a continuation of application No. 11/787,295, filed on Apr. 16, 2007, now Pat. No. 7,536,984.

Actuators, and corresponding methods and systems for controlling such actuators, provide independent valve control with a large initial or opening force. In an exemplary embodiment, an actuator includes a driver further including a housing defining a longitudinal axis and first and second directions, an actuation mechanism capable of generating actuation force at least in the first direction, and a rod with one end operably connected with at least one part of the actuation mechanism and with the other end available for an operable connection with a load such as an engine valve; at least one return spring operably connected with the rod through a spring retainer assembly and biasing the rod in the second direction; and a pneumatic booster further including a pneumatic cylinder, a pneumatic piston operably connected with the rod through the spring retainer assembly and biasing the rod in the first direction, a charge mechanism providing a controlled fluid communication between the pneumatic cylinder and a high-pressure gas source, and a bleed mechanism providing a controlled fluid communication between the pneumatic cylinder to a low-pressure gas sink.

(51) **Int. Cl.**

F01L 9/02 (2006.01)

(52) **U.S. Cl.** **123/90.12**; 123/90.13; 137/637

(58) **Field of Classification Search** 123/90.12, 123/90.13; 137/637, 906

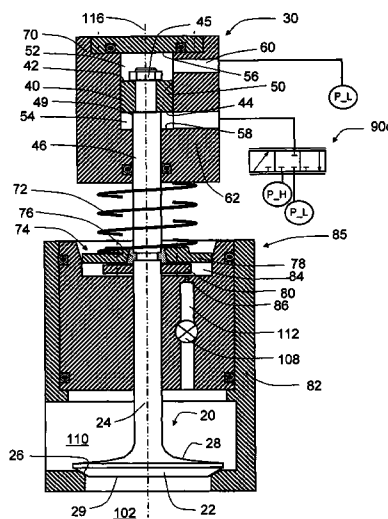
See application file for complete search history.

(56) **References Cited**

U.S. PATENT DOCUMENTS

3,949,964 A 4/1976 Freeman
4,934,652 A 6/1990 Golden
5,193,495 A 3/1993 Wood, III
5,713,316 A 2/1998 Sturman

44 Claims, 5 Drawing Sheets



U.S. PATENT DOCUMENTS

6,543,225	B2	4/2003	Scuderi	
6,584,885	B2	7/2003	Lou	
6,883,775	B2	4/2005	Coney et al.	
6,952,923	B2	10/2005	Branyon et al.	
7,536,984	B2*	5/2009	Lou	123/90.16
8,051,812	B2	11/2011	Lou	
2005/0132987	A1	6/2005	Chang	
2006/0207257	A1	9/2006	Turner et al.	
2008/0251041	A1	10/2008	Lou	
2009/0133648	A1	5/2009	Lou	

FOREIGN PATENT DOCUMENTS

GB	2340881	A	3/2000
JP	40-010860		4/1965
JP	63-63512		4/1988
JP	51-66607	A	7/1993
JP	10-274105	A	10/1998
JP	2004-293695	A	10/2004
JP	2007-502389	A	2/2007

OTHER PUBLICATIONS

Korean Application No. 10-2009-7021000—Office Action dated Apr. 21, 2011.

Chinese Application No. 200780052612.3—Office Action dated May 18, 2011.

Malaysian Patent Application No. PI 20094244—Office Action dated Jun. 30, 2011.

Australian Application No. 2007351850—Office Action dated Oct. 29, 2010.

PCT Application No. PCT/US2007/021339—ISR and IPRP dated Nov. 5, 2008.

U.S. Appl. No. 11/787,295—Final Rejection dated Oct. 24, 2008.

U.S. Appl. No. 11/787,295—Non-Final Rejection dated May 23, 2008.

U.S. Appl. No. 11/787,295—Notice of Allowance dated Feb. 24, 2009.

U.S. Appl. No. 12/321,789—Non-Final Rejection dated Nov. 24, 2010.

Scuderi Group, LLC, Plaintiff v. *LGD Technology, LLC* and *Zheng (David) Lou, Ph.D.*, Defendants, Answer to Complaint, Affirmative Defenses, Counterclaim, and Jury Demand—Oct. 17, 2008.

Scuderi Group, LLC, Plaintiff v. *LGD Technology, LLC* and *Zheng (David) Lou, Ph.D.*, Defendants, Answer to Defendants' Counterclaim and Affirmative Defenses—Nov. 17, 2008.

Scuderi Group, LLC, Plaintiff v. *LGD Technology, LLC* and *Zheng (David) Lou, Ph.D.*, Defendants, Civil Complaint, U.S. District Court, District of Massachusetts—Aug. 6, 2007.

Kolbenschmidt Pierburg Group, "Exhaust Gas Recirculation," Product Brochure, Pierburg GmbH Neuss, 2007.

U.S. Appl. No. 12/321,789—Notice of Allowance dated Aug. 26, 2011.

Japanese Application No. 2010-504028—Office Action dated Dec. 9, 2011.

* cited by examiner

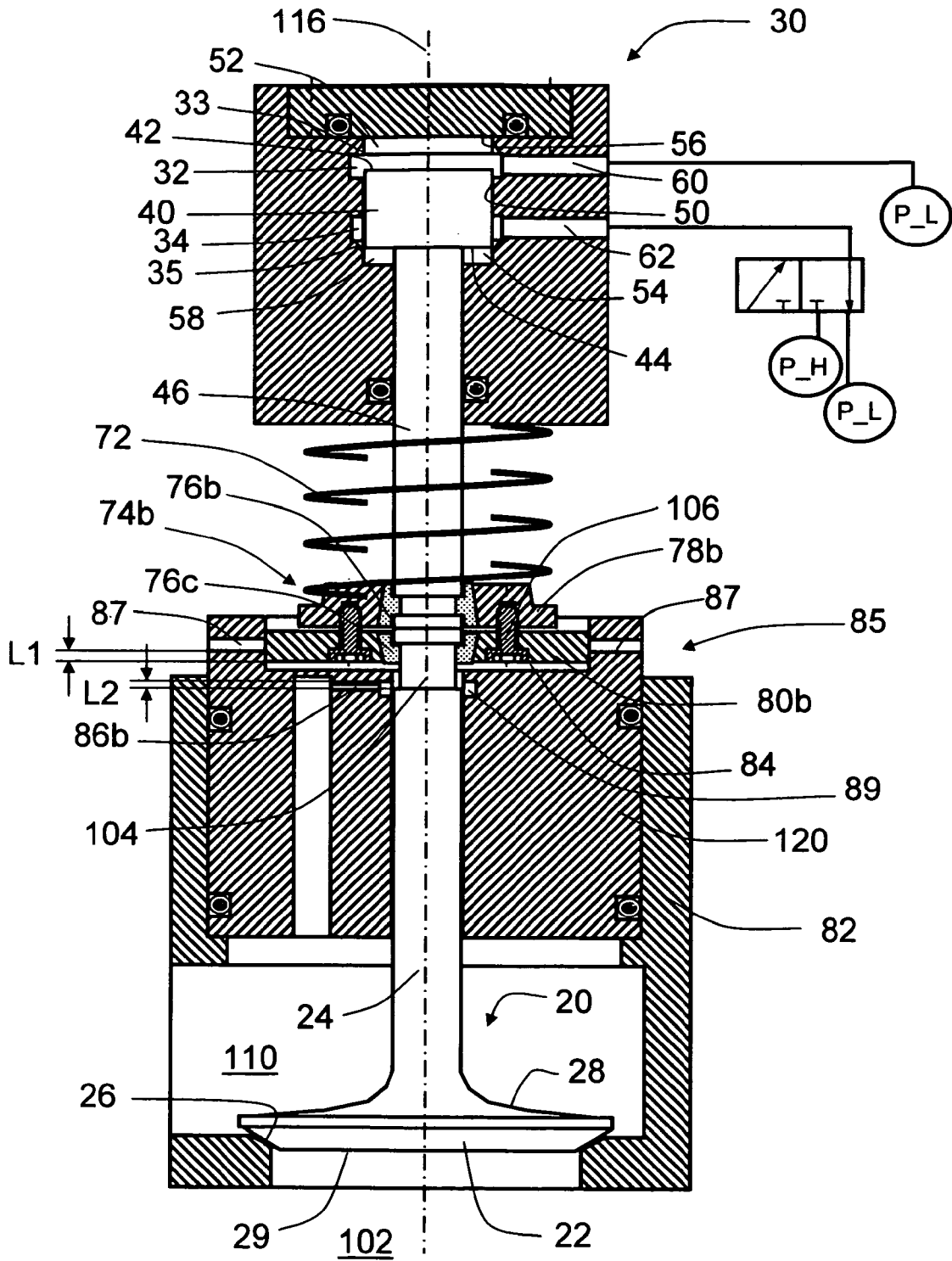


FIGURE 2

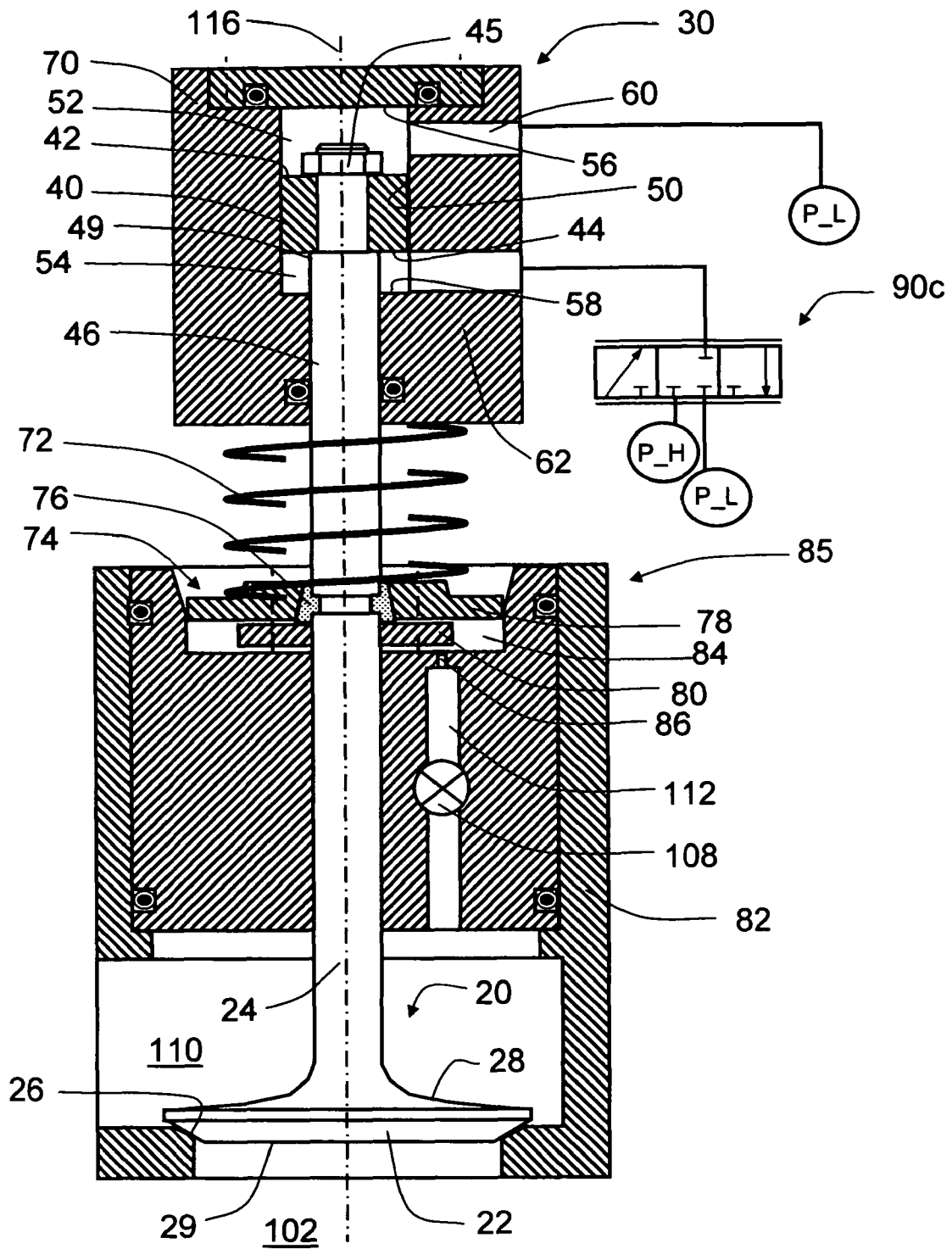


FIGURE 3

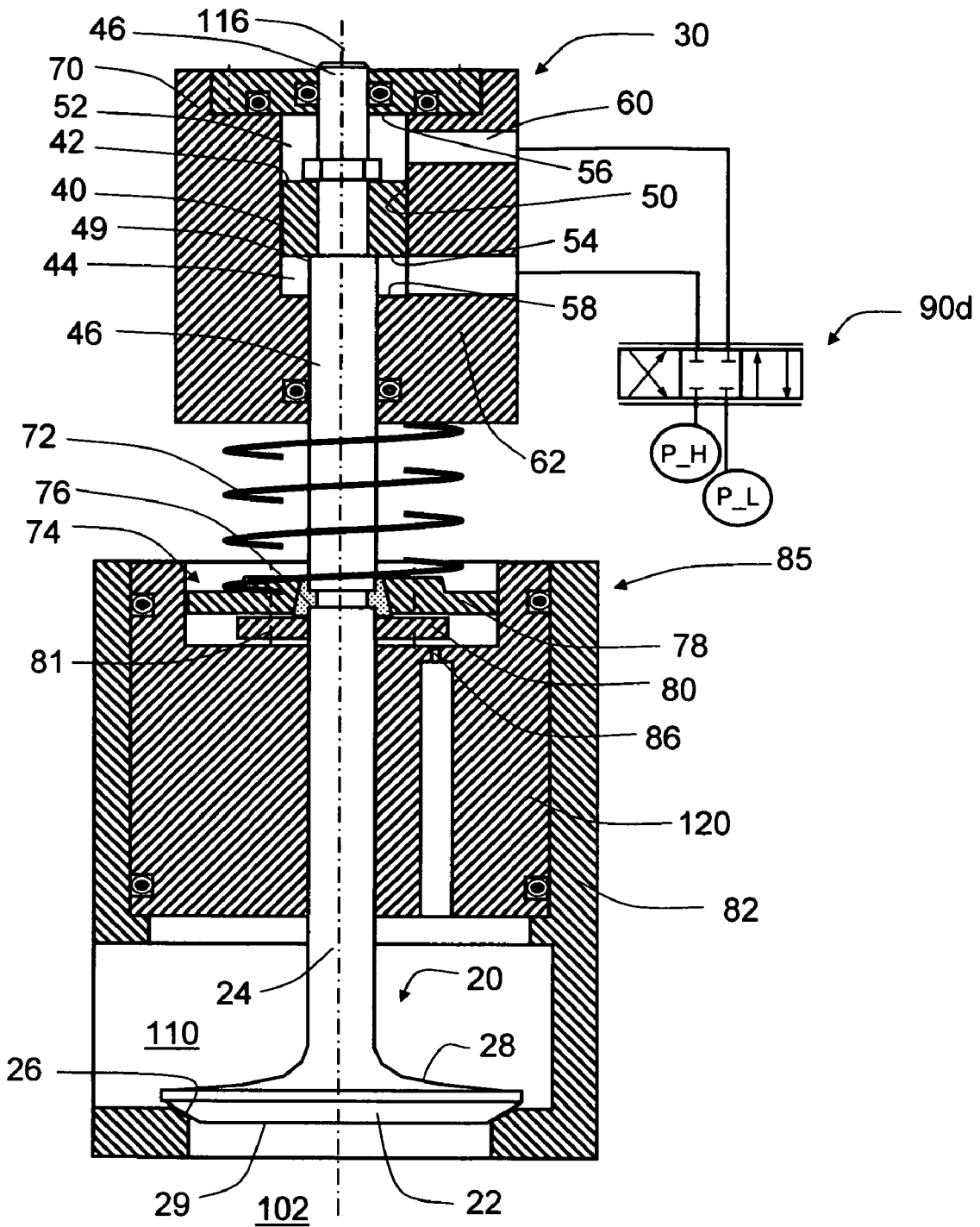


FIGURE 4

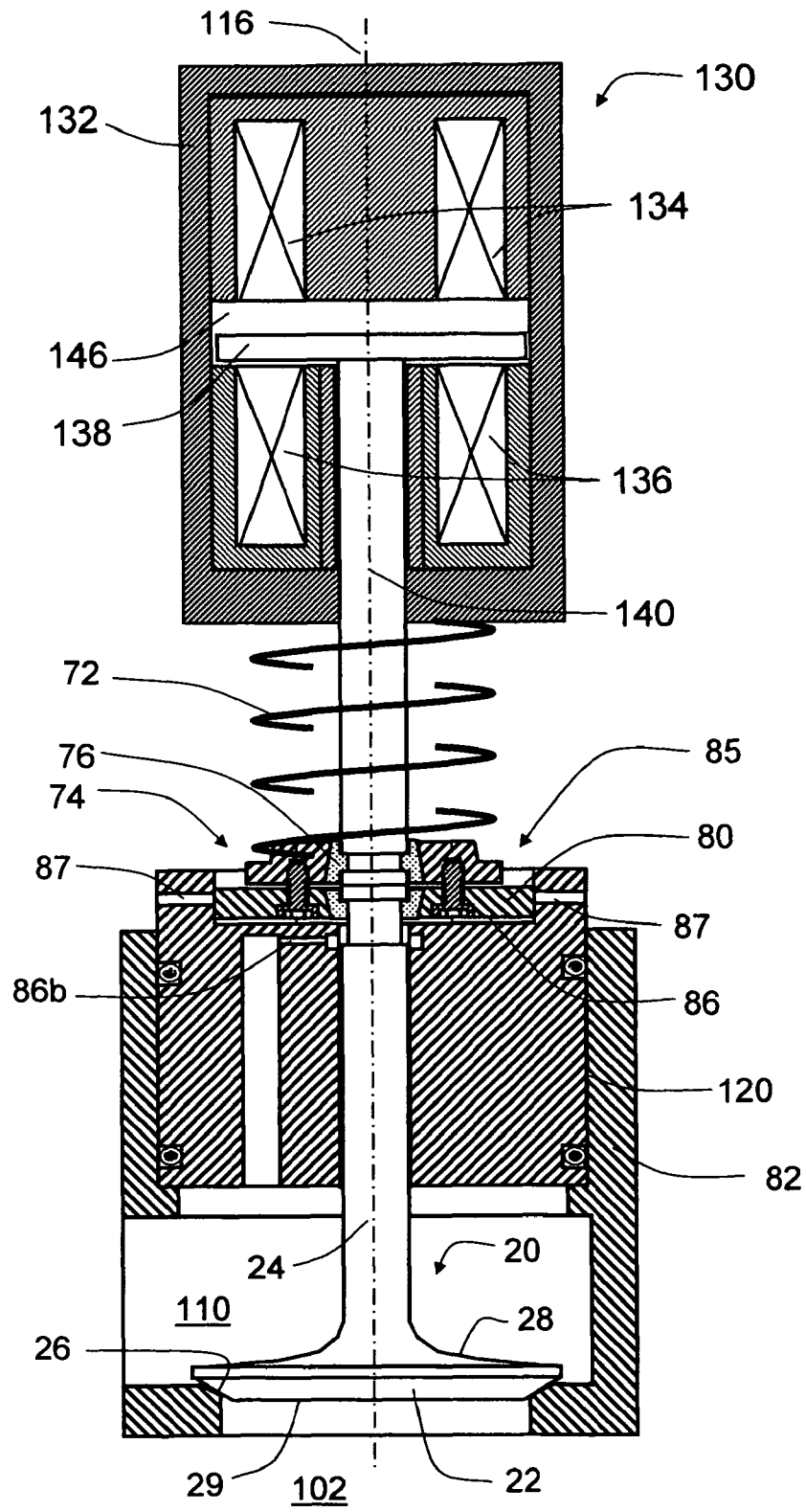


FIGURE 5

VARIABLE VALVE ACTUATOR WITH A PNEUMATIC BOOSTER

CROSS-REFERENCE TO RELATED APPLICATIONS

This application is a continuation of U.S. application Ser. No. 12/321,789 filed on Jan. 26, 2009, now U.S. Pat. No. 8,051,812, which is a continuation of U.S. application Ser. No. 11/787,295 filed on Apr. 16, 2007, now U.S. Pat. No. 7,536,984, the entire content of which is incorporated herein by reference.

FIELD OF THE INVENTION

This invention relates generally to actuators and corresponding methods and systems for controlling such actuators, and in particular, to actuators offering efficient, fast, flexible control with large opening forces.

BACKGROUND OF THE INVENTION

A split four-stroke cycle internal combustion engine is described in U.S. Pat. No. 6,543,225. It includes at least one power piston and a corresponding first or power cylinder, and at least one compression piston and a corresponding second or compression cylinder. The power piston reciprocates through a power stroke and an exhaust stroke of a four-stroke cycle, while the compression piston reciprocates through an intake stroke and a compression stroke. A pressure chamber or cross-over passage interconnects the compression and power cylinders, with an inlet check valve providing substantially one-way gas flow from the compression cylinder to the cross-over passage, and an outlet or cross-over valve providing gas flow communication between the cross-over passage and the power cylinder. The engine further includes an intake and an exhaust valve on the compression and power cylinders, respectively. The split-cycle engine according to the referenced patent and other related developments potentially offers many advantages in fuel efficiency, especially when integrated with an additional air storage tank interconnected with the cross-over passage, which makes it possible to operate the engine as an air hybrid engine. Relative to an electrical hybrid engine, an air hybrid engine can potentially offer as much, if not more, fuel economy benefits at much lower manufacturing and waste disposal costs.

To achieve the potential benefits, the air or air-fuel mixture in the cross-over passage has to be maintained at a predetermined firing condition pressure, e.g. approximately 270 psi or 18.6 bar gage-pressure, for the entire four stroke cycle. The pressure may go much higher to achieve better combustion efficiency. Also, the opening window of the cross-over valve has to be extremely narrow, especially at medium and high engine speeds. The cross-over valve opens when the power piston is at or near the top dead center (TDC) and closes shortly after that. The total opening window in a split cycle engine may be as short as one to two milliseconds, compared with a minimum period of six to eight milliseconds in a conventional engine. To seal against a persistently high pressure in the cross-over passage, a practical cross-over valve is most likely a poppet or disk valve with an outward (i.e. away from the power cylinder, instead of into it) opening motion. When closed, the valve disk or head is pressured against the valve seat under the cross-over passage pressure. To open the valve, an actuator has to provide an extremely large initial opening force to overcome the pressure force on the head as well as the inertia. The pressure force drops dramatically once

the cross-over valve is open because of a substantial pressure-equalization between the cross-over passage and the power cylinder. Once the combustion is initiated, the valve should be closed as soon as desired to prevent the spread of the combustion into the cross-over passage, which also entails, during a certain period of combustion, a need to keep the valve seated against a power cylinder pressure that is higher than the cross-over passage pressure. In addition, the cross-over valve needs to be deactivated when the power stroke is not active in certain phases of the air hybrid operation. Like conventional engine valves, the seating velocity of the cross-over valve has to be kept under a certain limit to reduce noise and maintain adequate durability.

In summary, a cross-over valve actuator has to offer a large initial opening force, a substantial seating force, a reasonably low seating velocity, a high actuation speed, and timing flexibility while consuming minimum energy by itself. Most, if not all, conventional engine valve actuation systems are not able to meet these demands.

SUMMARY OF THE INVENTION

Briefly stated, in one aspect of the invention, one preferred embodiment of an actuator includes a driver further including a housing defining a longitudinal axis and first and second directions, an actuation mechanism capable of generating actuation force at least in the first direction, and a rod with one end operably connected with at least one part of the actuation mechanism and with the other end available for an operable connection with a load such as an engine valve; at least one return spring operably connected with the rod through a spring retainer assembly and biasing the rod in the second direction; and a pneumatic booster further including a pneumatic cylinder, a pneumatic piston operably connected with the rod through the spring retainer assembly and biasing the rod in the first direction, a charge mechanism providing a controlled fluid communication between the pneumatic cylinder and a high-pressure gas source, and a bleed mechanism providing a controlled fluid communication between the pneumatic cylinder to a low-pressure gas sink.

In operation, the actuator holds the load to a second-direction end position with the force from the at-least-one return spring biasing in the second direction and overcoming the sum of the rest of the forces including those from the pneumatic booster and the load, without generating the actuation force in the first direction from the actuation mechanism, and with the pneumatic booster being charged through the charge mechanism to yield a substantial force in the first direction to oppose a substantial load force in the second direction.

The actuator initiates the travel of the load in the first direction by generating the actuation force in the first direction from the actuation mechanism, with the combination of the actuation force and the force from the pneumatic booster being able to overcome the sum of the rest of the forces including those from the at-least-one return spring and the load and accelerate the load in the first direction.

The actuator keeps the travel in the first direction with the actuation force in the first direction until reaching the target stroke, and keeping the actuation force in the first direction if the load needs to be held at the target stroke. The actuator initiates the return travel of the load in the second direction at least by turning off the actuation force in the first direction so that the load is accelerated in the second direction at least by the return spring.

The actuator bleeds off excess air in the booster cylinder through the bleed mechanism during at least part of the time period described in the above paragraph to reduce the force

3

from the pneumatic booster, which is otherwise too excessively resistant to the return travel of the load. It completes the return travel with a decreasing force from the return spring and an increasing force from the pneumatic booster, which help slow down the load.

In another embodiment, the driver is a fluid driver; the actuation mechanism comprising an actuation piston, an actuation cylinder, first and second fluid spaces in fluid communication with first and second ports, respectively; and the rod being a piston rod operably connected with the actuation piston and the load.

In another embodiment, the driver is an electromagnetic driver; the actuation mechanism comprising an armature disposed in an armature chamber, and at least a first magnet on the first direction side of the armature chamber, whereby being able to pull the armature in the first direction when energized; and the rod being an armature rod operably connected with the armature and the load.

In another embodiment, the charge mechanism includes a charge orifice, whereby substantially restricting the charge flow rate. It may also include a control mechanism that substantially closes off charge flow at least when the bleed mechanism is actively bleeding off excess air.

The present invention provides significant advantages over the prevailing fluid actuators and their control, especially those needed for the cross-over passage engine valve that needs a large initial opening force, a substantial seating force, a reasonably low seating velocity, a high actuation speed, and timing flexibility while consuming minimum energy by itself. The pneumatic booster is able to provide that large initial force, without adding too much construction complexity or demanding too much energy consumption or stretching the capacity and functional limits of the fluid or electromagnetic actuators, by tapping directly into the cross-over passage or the air storage tank. With the charge mechanism, the boost force can be directly adjusted to the varying operating pressure in the cross-over passage, without sophisticated active control. With the bleed mechanism, the engine valve return force can be greatly reduced by making the boost force to be substantially lower during the return stroke.

With the pneumatic booster, the driver, be it a fluid or electromagnetic one, is able to concentrate on more or less conventional valve actuation, without the design, function and cost burden associated with the large initial opening force, which conventionally entails large flow rate and package size for fluid drivers and high, if not impossible, magnetic force and electrical power for electromagnetic drivers.

The present invention, together with further objects and advantages, will be best understood by reference to the following detailed description taken in conjunction with the accompanying drawings.

BRIEF DESCRIPTION OF THE DRAWINGS

FIG. 1 is a schematic illustration of one preferred embodiment of the engine valve actuator, which is at a closed state;

FIG. 2 is a schematic illustration of another preferred embodiment, which includes design variations in the fluid driver, the spring retainer assembly, and the pneumatic booster;

FIG. 3 is a schematic illustration of another preferred embodiment, which includes a 3-way proportional valve and a charge valve;

FIG. 4 is a schematic illustration of another preferred embodiment, which includes a 4-way proportional valve, a fluid driver with a double-ended piston rod, and a pneumatic booster without a bleed mechanism; and

4

FIG. 5 is a schematic illustration of another preferred embodiment, which includes an electromagnetic driver.

DETAILED DESCRIPTION OF THE INVENTION

Referring now to FIG. 1, a preferred embodiment of the invention provides an actuator including a fluid driver 30, an actuation 3-way valve 90, a return spring 72, and a pneumatic booster 85. The load or control target of the actuator is an engine valve 20.

The actuation 3-way valve 90 supplies the fluid driver 30 through a second port 62 of the fluid driver 30. The 3-way valve 90 has two of its three ways connected with a low-pressure P_L fluid line and a high-pressure P_H fluid line, and the third way connected with the second port 62. A first port 60 of the fluid driver 30 is in fluid communication directly with the low-pressure P_L fluid line.

The actuation 3-way valve 90 is switched either to a left position 92 or a right position 94. At the left and right positions 92 and 94, the second port 62 is in fluid communication with the P_H and P_L lines, respectively.

The pressure P_H can be either constant or continuously variable. When variable, it is to accommodate variability in system friction, engine valve opening, air pressure, the engine valve seating velocity requirement, etc., and/or to save operating energy when possible. The pressure P_L can be simply the fluid tank pressure, the atmosphere pressure, or a fluid system backup pressure. The fluid system backup pressure can be simply supported or controlled, for example, by a spring-loaded check valve, with or without an accumulator. The P_L value is preferred to be as low as possible to increase the system efficiency, and yet high enough to help prevent fluid cavitation. When necessary, The P_L can be more tightly controlled as well. When necessary and/or allowed, the two P_L lines connected with the two ports 60 and 62 may maintain two pressure values. For example, the first port 60 may be simply used to dump some leakage flow to the fluid tank (not shown in FIG. 1). In this case, much of the first fluid space may be simply filled with air, instead of the working fluid (assuming the working fluid is not air).

The engine valve 20 includes an engine valve head 22 and an engine valve stem 24. The engine-valve head 22 includes a first surface 28 and a second surface 29, which in the case of a split-cycle engine, are exposed to a cross-over passage 110 and the engine cylinder 102, respectively. The engine valve 20 is operably connected with the fluid driver 30 along a longitudinal axis 116 through the engine valve stem 24, which is slideably disposed in an engine valve guide 120. For ease of description, the assembly and the longitudinal axis 116 have first and second directions, which are the same as the top and bottom directions in FIG. 1. The engine valve guide 120 as illustrated in FIG. 1 does not look like a traditional engine valve guide, which normally is a sleeve with a much limited wall thickness. The guide 120 is designed to be situated in the cylinder head 82, over a valve assembly opening 83, which is large enough to slide through the engine valve head 22 during assembly. This is just one of many potential assembly options. This does not exclude the possibility of adding a traditional-looking sleeve inside the guide 120. The guide 120 may contain necessary engine coolant and lubricant passages (not shown in FIG. 1).

When the engine valve 20 is fully closed, the engine valve head 22 is in contact with an engine valve seat 26, sealing off the fluid communication between the cross-over passage 110 and the engine cylinder 102.

The fluid driver 30 comprises an actuator housing 70, an actuation piston 40, and an actuation cylinder 50. The actua-

tion piston 40 is slideably disposed in the actuation cylinder 50. The actuation piston 40 is fixed on to a piston rod 46 between a fastening element 45 and a shoulder 49. The actuation piston 40 includes a first surface 42 and a second surface 44, and longitudinally divides the actuation cylinder 50 into a first fluid space 52 (between an actuation-cylinder first end 56 and an actuation-piston first surface 42) and a second fluid space 54 (between the actuation-piston second surface 44 and the actuation-cylinder second end 58). The radial clearances around the actuation piston 40 and the piston rod 46 are substantially tight, provide substantial fluid seal, and yet offer tolerable resistance to relative motions.

The second fluid space 54 is in fluid communication with the second port 62 through a second flow passage 64 around a neck feature 48 on the piston rod. The second flow passage 64 becomes substantially more restrictive when the actuation piston 40 is close to the actuation-cylinder second end 58, with the shoulder 49 longitudinally approaching and/or overlapping the second flow passage 64. If a second flow mechanism is defined to include the second flow passage 64, the neck 48, and the shoulder 49, then the second flow mechanism provides substantially open fluid communication between the second fluid space and the second port. It provides a snubbing function when the actuation piston 40 is close to the actuation-cylinder second end 58. When desired, the second flow mechanism may also include a one-way or check valve (not shown in FIG. 1), providing a parallel, substantially-open fluid communication from the second port 62 to the second fluid space 54.

The first fluid space 52 is in fluid communication with the first port 60 without much flow restriction.

The piston rod 46 is operably connected with the engine valve stem 24, and in this embodiment (as illustrated in FIG. 1) the rod 46 and stem 24 are structurally the same part, which is not the only design option.

A spring retainer assembly 74 is designed to help hold the return spring 72 and transfer its force on to the engine valve stem 24. The return spring 72 as illustrated in FIG. 1 is a single mechanical compression spring. This does not exclude other design options, such as a pair of compression springs in parallel. The spring 72 may also be in the form of the Belleville type or pneumatic nature.

The spring retainer assembly 74 includes a first and second spring retainers 78 and 80 and a set of valve keepers 76. The first spring retainer 78 also functions or doubles as a pneumatic piston, which is slideably disposed inside a pneumatic cylinder 84, a cavity at the top of the engine valve guide 120, to form the pneumatic booster 85. The side, sliding walls of the first spring retainer 78 and the pneumatic cylinder 84 maintain an air-tight seal and yet reasonable level of friction with necessary lubrication and sealing mechanism (details not in FIG. 1). The return spring 72 and the pneumatic booster 85 apply forces to the first retainer 78, and thus the engine valve stem 24, in the second and first directions, respectively. The spring retainer assembly 74 is thus designed to sustain forces in both directions. The force from the return spring 72 is applied to the first spring retainer 78, and is transferred, through the valve keepers 76, to the engine valve stem 24. The pneumatic force from the pneumatic cylinder 84 is primarily applied to the first spring retainer 78, and is transferred to the valve stem 24 through spring-retainer fastening means 81 (details of which are not illustrated in FIG. 1), the second spring retainer 80, and the valve keepers 76.

The pneumatic cylinder 84 is charged or supplied with the pressurized gas or air from the cross-over passage 110, a high-pressure gas source, through a charge mechanism including a charge passage 112 and a charge orifice 86. The

charge orifice 86 is designed to be more restrictive than the charge passage 112. The passage 112 and orifice 86 may be combined into a single restrictive long orifice (not shown in FIG. 1). The separate construction or existence of the charge orifice 86 may ease the manufacturing process. The pneumatic cylinder 84 is also intentionally designed to have an expansion 118 in its top portion so that a substantially air-tight seal between the first retainer 78 and the pneumatic cylinder 84 is kept only when the engine valve 20 is seated and within a predefined distance L1 of the engine valve travel in the first direction, beyond which there is a substantial clearance or bleed passage between the pneumatic cylinder 84 and the first retainer 78, and the pneumatic cylinder 84 is in substantial fluid communication with the atmosphere or a lower-pressure gas sink and yet is in a restrictive fluid communication with the cross-over passage 110.

The actuation cylinder 50 offers substantial room longitudinally such that the actuation piston 40 does not touch the first and second ends 56 and 58 of the cylinder 50 when the load or engine valve 20 is at its first-direction and second-direction end positions, respectively. When the engine valve 20 is seated or at its second-direction end position as shown in FIG. 1, there is still a distance between the actuation-piston second surface 44 and the actuation-cylinder second end 58 to accommodate the engine valve lash adjustment. When the engine valve 20 is fully open or at its first-direction end position, there is enough force from the return spring 72 and/or enough longitudinal space in the cylinder 50 to prevent a direct contact between the actuation-piston first surface 42 and the actuation-cylinder first end 56.

Alternatively, one may design for the engine valve opening travel to be limited or defined by the physical contact between the actuation-piston first surface 42 and the actuation cylinder first end 56, or between their equivalent surfaces, with necessary snubbing or control measures, like those shown later in FIGS. 2 and 5.

The engine valve head 22 is generally exposed to the pressure of the cross-over passage 110 on the first surface 28 and the pressure of the engine cylinder 102 on the second surface 29.

The cross-section area of the first spring retainer or the pneumatic piston 78 is to be substantially equal to that of the engine-valve head so that the pneumatic pressure force on the pneumatic piston 78 substantially cancels the pressure force on the engine-valve first surface 28 when the pressure in the pneumatic cylinder 84 is substantially equal to that in the cross-over passage, due to fluid communication through the charge orifice 86. Alternatively, the cross-section area of the pneumatic piston 78 is to be appreciably, but not necessarily substantially, different from, either larger or smaller than, that of the engine valve head 22. A larger pneumatic piston cross-section area, for example, offers an extra engine valve opening force so that a relatively more compact fluid driver 30 is sufficient.

The system also experiences various friction forces, steady-state flow forces, transient flow forces, and other inertia forces. Steady-state flow forces are caused by the hydrostatic pressure redistribution due to flow-induced velocity variation, i.e. the Bernoulli effect. Transient flow forces are fluid inertial forces. Other inertial forces result from the acceleration of objects, excluding fluid here, with inertia, and they are substantial in an engine valve assembly because of the large magnitude of the acceleration or the fast timing.

Power-Off State

At power-off state, all fluid supply sources P_H and P_L are at low or zero gage pressure. The total fluid force on the

actuation piston **40** is substantially equal to zero. The engine valve can be seated or closed by the return spring **72** alone. The seating is even more secure if the pneumatic piston **78** has a smaller diameter than the engine valve head **22**, and the cross-over passage **110** is still sufficiently pressurized, especially for an air-hybrid application with an air storage tank.

At the power-off, the default position of the actuation 3-way valve **90** is preferably, but not necessarily, to be in its right position **94** as shown in FIG. **1** so that the second fluid space **54** is in fluid communication with the low pressure P_L fluid line and is surely at a low or zero gage pressure if a secure engine valve seating is important or critical. Immediately after engine off, the high pressure P_H fluid line may be still pressurized. At the engine start, the engine valve **20** can be kept at the closed position without actively switching the valve **90**.

Start-Up

To start-up the system from the power-off state, all fluid supply sources are pressurized, and the actuation 3-way valve **90** is secured, either by default or active control, at its right position **94** as shown in FIG. **1**. The engine valve **20** is secured, at least by the return spring **72**, at the closed or seated position as shown in FIG. **1**.

Valve Opening and Closing

To open the engine valve **20**, the actuation 3-way valve **90** is switched to its left position **92**. The second fluid space **54** is open to the high pressure P_H supply through the second flow mechanism, while the first fluid space **52** remains to be exposed to the low pressure P_L supply. The resulting differential pressure force on the actuation piston **40** is in the first direction (or upward in FIG. **1**) to overcome primarily the spring force, driving open the engine valve **20**. At the same time, the downward differential air pressure force on the engine valve **20** is substantially balanced by the upward differential air pressure force on the pneumatic piston **78**, considering that the pneumatic cylinder **84** is under the same pressure as the cross-over passage **110**. In a split-cycle engine, the dominant force on an engine valve is the air pressure force from the cross-over passage **110**. The incorporation of the pneumatic piston **78** helps balance out and counter this large force, which otherwise demands an extremely large and energy-intensive actuator.

As soon as the engine valve **20** cracks open, the engine cylinder **102** is filled rapidly, and its pressure reaches the cross-over passage pressure within a short period of time, well before the engine valve **20** passes the middle point of the opening stroke, resulting in a rapid disappearance of the differential pressure on the engine valve surfaces **28** and **29**. During the same short period of time, the pressure in the pneumatic cylinder **84** and the differential pressure on the pneumatic piston **78** drop rapidly as well because of its limited, predefined initial volume, its rapid volume expansion associated with the engine valve movement, a limited amount of air inflow through the charge orifice **86**, and the bleeding off of the air as the pneumatic piston **78** moves up a predefined distance L₁, as shown in FIG. **1**, to the expanded top portion **118** of the pneumatic cylinder **84**.

For the rest of the opening stroke or beyond the distance L₁, the air pressure forces on the pneumatic piston **78** and the engine valve **20** are minimum, and the actuation piston **40** continues to drive the engine valve **20** in the first direction (or upward in FIG. **1**) against an increasing spring force from the return spring **72** until the engine valve reaches its full open

position, when the spring force and the fluid differential force across the actuation piston **40** are balanced, which is expected to be dynamic with certain overshoot and damped oscillation, considering the spring-mass nature of the construction. There are however measures, as shown in other preferred embodiments (FIGS. **2** and **4**), to have a more definitive lift or full open position.

The engine valve **20** remains open as long as the actuation 3-way valve **90** remains at its left position **92**. During this period, the pneumatic cylinder **84** keeps receiving a small stream of air flow from the charge orifice **86** and keeps bleeding the air out through the substantial gap between the pneumatic piston **78** and its top, expanded cylinder wall **118**. This energy loss will continue until the pneumatic piston **78** is back at the lower portion of the pneumatic cylinder **84**. However, the energy loss is minimized by the restrictive nature of the charge orifice **86** and the limited engine valve opening period relative to the entire thermal cycle.

To start closing the engine valve, the actuation 3-way valve **90** is switched to its right position **94**, and the second fluid space **54** is open back to the low pressure P_L fluid supply, resulting in a substantially zero pressure differential across the actuation piston **40**. The return spring **72** is able to drive the engine valve **20** downward. When the pneumatic piston **78** passes the expanded part **118** of the pneumatic cylinder **84**, a substantially air-tight seal is established again between the pneumatic piston **18** and the wall of the pneumatic cylinder **84**, and the pressure in the pneumatic cylinder starts building up primarily because of a shrinking cylinder volume as the engine valve **20** and thus the pneumatic piston **18** move downward. The pressure build-up is also assisted by the flow from the charge orifice **86**. The pneumatic cylinder **84** functions like a pneumatic spring, slowing down the advancement of the engine valve **20** and eventually helping achieve a soft-seating when the engine valve **20** reaches the engine-valve seat **26**.

Around the engine valve seating or landing and shortly after that, the pressure in the engine cylinder momentarily exceeds the cross-over passage pressure because of the effect of the combustion, resulting in a transient differential pressure force in the first direction or upward. The preload of the return spring **72** should be designed to be able to hold the engine valve **20** in seated position against this transient upward differential force on the engine valve and also against the pressure force from the pneumatic cylinder **84**. The pneumatic cylinder pressure, at this moment, is however not equal to the full cross-over pressure. It is purposely so by earlier bleeding off through the expanded portion **118** of the pneumatic cylinder **84** and the restrictive nature of the charge orifice **86**.

Thereafter, the engine cylinder pressure drops below the cross-over passage pressure as the volume expands further. The pneumatic cylinder pressure rises up further through the restricted flow from the charge orifice **86** during the rest of the engine thermal cycle, which is slow but sure enough to be ready for the next engine valve opening event.

FIG. **2** depicts an alternative embodiment of the invention that features some variations in the design of the fluid driver **30**. The first flow mechanism, which is the means of the fluid communication between the first port **60** and the first fluid space **52**, includes a first undercut **32** and at least one first snubbing groove **33**. When the actuation-piston first surface **42** passes the first undercut **32** longitudinally in the first direction during an opening stroke, the working fluid is substantially trapped in the first fluid space **52**, with only a limited outlet through the at-least-one first snubbing groove **33**, resulting in a snubbing action to help slow down the travel

speed and reduce potential oscillation. When so desired, the actuation-cylinder first end can be longitudinally arranged to provide a solid stop to the actuation-piston first surface 42, thus a well defined engine valve lift. If so desired, a check valve (not shown in FIG. 2) can be arranged to allow one-way flow from the first port 60 into the end of the first fluid space 52 during the starting phase of the engine valve closing stroke to avoid cavitation.

Similarly, the second flow mechanism, which is the means of fluid communication between the second port 62 and the second fluid space 58, includes a second undercut 34 and at least one second snubbing groove 35. When the actuation-piston second surface 44 passes the second undercut 34 longitudinally in the second direction during an closing stroke, the working fluid is substantially trapped in the second fluid space 58, with only a limited outlet through the at-least-one second snubbing groove 35, resulting in a snubbing action to help slow down the travel speed and achieve soft-seating for the engine valve 20. It is desired to leave a predefined longitudinal distance between the actuation-cylinder second end and the actuation-piston second surface 44 to ensure a solid contact and tight seal between the engine valve head 22 and the valve seat 26 when the engine valve 20 is seated, which has to be accommodated at all engine operating conditions and throughout the engine's service life. When necessary, additional engine valve lash adjustment device (not shown in FIG. 2) is to be integrated in this and other embodiments.

The embodiment in FIG. 2 further features variations in the design of the spring retainer assembly 74*b*. The second spring retainer 80*b*, instead of the first spring retainer 78*b*, functions or doubles as the pneumatic piston. It also includes two sets of valve keepers 76*b* and 76*c*. This embodiment allows the engine valve stem 24 and the piston rod 46 to be physically two separate pieces, united operably by the spring retainer assembly 74 with necessary fastening means 106 or the equivalent.

This embodiment also shows variations in the charging and bleeding mechanisms for the pneumatic booster 85. It adopts at least one bleed hole 87 as the bleed passage, instead of an expanded wall 118 in FIG. 1, for the pneumatic cylinder 84 to discharge its extra gas when the pneumatic piston 80*b* travels up a predefined distance L1 as shown in FIG. 2. The bleed holes 87 may be fitted with porous materials or filters (not shown) to reduce noise associated the bleeding process. To save the effort and cost of drilling or casting the bleed holes 87, one may also simply design the engine valve guide 120, and thus the pneumatic cylinder 84, up to that height, causing the pneumatic piston 80*b* to be disengaged from the pneumatic cylinder 84 once it travels up to that point, resulting in a wide open bleeding process.

One can also use some predefined variation (not shown in FIG. 2) in the radial clearance between the pneumatic piston 80*b* and the pneumatic cylinder 84. Adopting an opposite approach, some diaphragm (not shown in FIG. 2) may be used to completely seal off leakage through the radial clearance, totally depending on the at-least-one bleed hole 87 or its equivalent for the control of the air or gas mass discharge. Also, when desired, one may use a control valve (not shown in FIG. 2) to control its on/off state.

The charge orifice 86*b* in FIG. 2 is regulated by a control mechanism including an orifice gate 89 and a stem undercut 104, which are not open to each other when the engine valve 20 travels up a predefined distance L2 (as shown in FIG. 2). The distance L2 is preferably to be equal or shorter than the distance L1 so that the flow through the charge orifice 86*b* and thus the charging process are substantially blocked when the discharging process, through the bleed hole 87 or its equivalent,

is active. This variation in the charge mechanism will help reduce unnecessary, however small, energy loss.

Refer now to FIG. 3, which is a drawing of yet another alternative embodiment of the invention. In this fluid driver 30, a proportional or servo 3-way valve 90*c* is used to control the fluid supply to the second fluid space 54. The engine valve or actuator position signal can be collected via a position sensor (not shown in FIG. 3). The feedback control will help achieve more precise control over the engine valve lift and seating velocity. The proportional or servo valve 90*c* itself can be actuated directly via various means (not shown in FIG. 3), including solenoids or other electromagnetic means, electrohydraulic pilot valves, and piezoelectric actuators.

This embodiment further features a charge valve 108, as a control mechanism, along the charge passage 112 to help achieve better control over the charging process for the pneumatic cylinder 84. The charge valve 108 has at least one of two major functions: (1) to open the charge passage 112, allowing the pneumatic cylinder 84 to be charged, before the engine valve opening stroke, and close the charge passage 112 especially if the restrictive charge orifice 86 is not used, eliminating or reducing leak flow when the pneumatic cylinder 84 is being bled; (2) to completely close off the charge passage 112 when the engine or that particular engine cylinder is power-off, as in an air hybrid vehicle, minimizing leakage and preserving the pressurized air in the cross-over passage and/or the air storage tank. For the first function, one charge valve 108 is needed for each power cylinder of the split four-stroke cycle engine because each power cylinder has its unique timing. If only the second function is needed, one may optionally use only one charge valve 108 for an entire engine, with the valve 108 controlling a common charge passage (not shown in FIG. 3) that eventually branches into tributary charge passages (not shown in FIG. 3) for individual power cylinders (not shown in FIG. 3). Further for the first function, the charge valve 108 may be optionally a proportional valve, instead of an on/off valve. By being a proportional valve, the charge valve 108 is able to actively control, for example, the air pressure in the pneumatic cylinder 84 for various functional, durability and NVH needs.

At this and other figures, the charge passage 112 is connected to the cross-over passage 110. Optionally, it can be connected to the air storage tank (in the case of an air hybrid vehicle) or a separate reservoir (not shown in the figures). The separate reservoir may have its own pressure, which may be regulated to help achieve optimum charging process for the pneumatic cylinder 84.

Refer now to FIG. 4, which is a drawing of yet another alternative embodiment of the invention. In this case, a proportional or servo 4-way valve 90*d* is used to control the fluid supply both to the first and second fluid spaces 52 and 54. This embodiment is able to provide actively-controlled actuation forces both in the first and second directions. Optionally, the piston rod 46 extends longitudinally through the first fluid space 52, becoming a double-ended piston rod. To have a biased or asymmetric differential fluid force, the two ends of the piston rod may possess two different diameters, with the side with a smaller rod diameter having a larger effective fluid pressure surface area.

Still another variation or option is its lack of a bleed mechanism. The actuation force in the second direction will easily help overcome the high air pressure force from the pneumatic booster 85 during the engine valve closing. The elimination of the bleed mechanism will help simplify the construction of the pneumatic booster 85. Without a bleed mechanism or substantial leakage, the charge mechanism, including the charge orifice 86, is still needed to compensate for potential

minor leakages, and adjust the pressure and air mass level in the pneumatic booster **85** to accommodate the pressure level variation in the cross-over passage or air storage tank. The actuator needs a lower boost force, for example, when the cross-over passage pressure is lower. In this sense, the charge mechanism also has a balance function, which is even true for the pneumatic boosters with a bleed mechanism.

Depending on the application, the rest of the embodiment in FIG. **4** may still be integrated with one of the bleed mechanisms featured in earlier embodiments (illustrated in FIGS. **1-3**) if a lower air pressure force is ideal for the engine valve seating process.

Refer now to FIG. **5**, which is a drawing of yet another alternative embodiment of the invention. In this embodiment, an electromagnetic driver **130** replaces the fluid drivers **30** in FIGS. **1-4**. The electromagnetic driver **130** includes a housing **132**, within which from the top to the bottom are a first electromagnet **134**, an armature chamber **146**, and a second electromagnet **136**. The first and second electromagnets **134** and **136** further include their electrical windings and lamination stacks, details of which are not shown in FIG. **5**. An armature **138** is disposed inside the armature chamber **46** and between the first and second electromagnets **34** and **36** and is rigidly connected to an armature rod **140**. The armature rod **140** is slideably disposed through the second electromagnet **136** and the housing **132**, and is operably connected with the engine valve stem **24**.

When powered, the first and second electromagnets **134** and **136** attract the armature **138** in the first (top) and second (bottom) directions, respectively. The first electromagnet **134** is able to catch the armature **138** and keep the engine valve **20** open at the full lift. To crack open the engine valve **20** when the air pressure forces on the engine valve **20** and the pneumatic piston **80** are substantially balanced, the first electromagnet **134** only needs to overcome the preload from the return spring **72**, which is achievable despite the highly non-linear nature of the electromagnetic force because the overall lift for the cross-over engine valve and thus the air gap between the armature **134** and the electromagnet **134** are small. This can be further assisted, if necessary, by designing the pneumatic piston **80** to be appreciably larger than the engine valve head **22** and thus introducing a differential air pressure force in the first direction.

To close the engine valve **20** from the full open position, the first electromagnet **134** is de-energized, and the engine valve **20** is pushed down by the returning force of the return spring **72**, with the pulling assistance, if necessary, from an energized second electromagnet **136**. During the later phase of the closing, the pneumatic cylinder **86** is pressurized by volumetric contraction and optional charging action through the charge orifice **86b**, and it helps slow down the engine valve **20** to achieve soft-seating. A further retarding action can be achieved by re-energizing the first electromagnet **134** in a controlled way, resulting in a desired pulling force in the first direction depending on the operational needs or feedback signal.

The pulling force in the second direction from the second electromagnet **136** may also assist the return spring **72**, if a low spring preload is desired otherwise, in keeping the engine valve **20** seated during at least part of combustion, when the pressure in the power cylinder **102** appreciably exceeds that in the cross-over passage **110**.

If the pneumatic booster **85** includes a bleed mechanism like the bleed holes **87** in FIG. **5**, the second electromagnet **136** is an optional component, which can be eliminated if the return spring **72** and other related components are sufficient for various functions.

The second electromagnet **136** is indispensable, however, if one is to adopt a pneumatic booster design without, as shown in FIG. **4**, a bleed mechanism. In this case, the second electromagnet **136** needs to generate an actuation force in the second direction to help overcome a high air pressure force from the pneumatic booster during the engine valve closing, when there is no high differential air pressure force on the engine valve to balance the force from the pneumatic booster.

In FIGS. **1-5**, various embodiments of the pneumatic booster **85** are specially developed to overcome the initial pressure force on the engine-valve first surface **28** to crack open the engine valve. Yet, through its bleed mechanism, the pneumatic booster **85** is able to scale down its pressure force for the valve closing when the differential pressure force across the engine valve head is substantially smaller. With this pneumatic booster **85**, the fluid drivers **30** in FIGS. **1-4** and the electromagnetic driver **130** in FIG. **5** are able to handle the less forceful part of the engine valve opening and closing. The effective integration of the various embodiments of the pneumatic booster **85** is not limited to those fluid and electromagnetic drivers **30** and **130** discussed above. In fact, any driver with sufficient force and control for the engine valve acceleration, deceleration, and seating control will do, with the large initial opening force being taken care of by the pneumatic booster **85**.

In all the above descriptions, each of the switch and/or control valves may be either a single-stage type or a multiple-stage type. Each valve can be either a linear type (such as a spool valve) or a rotary type. Each valve can be driven or piloted by an electric, electromagnetic, mechanic, piezoelectric, or fluid means.

In some illustrations and descriptions, the fluid medium may be assumed or implied to be in hydraulic or in liquid form. In most cases, the same concepts can be applied, with proper scaling, to pneumatic boosters and systems. As such, the term "fluid" as used herein is meant to include both liquids and gases. Also, in many illustrations and descriptions so far, the application of the invention is defaulted to be in split four-stroke cycle internal combustion engine valve control, and it is not limited so. The invention can be applied to other situations where a fast and/or high-initial-force control of the motion is needed.

Although the present invention has been described with reference to the preferred embodiments, those skilled in the art will recognize that changes may be made in form and detail without departing from the spirit and scope of the invention. As such, it is intended that the foregoing detailed description be regarded as illustrative rather than limiting and that it is the appended claims, including all equivalents thereof, which are intended to define the scope of this invention.

I claim:

1. An actuation system, comprising:

a valve including a stem, the valve operable to move in a first direction away from an engine cylinder and in a second directions towards the engine cylinder along a longitudinal axis extending through the stem and operable to control fluid communication between a passage and the engine cylinder;

a pneumatic booster including a pneumatic piston operably connected to the stem and slidably disposed in a pneumatic cylinder for at least a part of the pneumatic piston's travel range, the pneumatic booster further including a charge mechanism operable to charge the pneumatic cylinder with a charge flow of pressurized gas from a high pressure gas source to apply pressure to the

13

pneumatic piston, wherein the pneumatic booster is operable to apply a boost force to the valve in the first direction; and

a bleed mechanism operable to keep a substantially airtight seal in the pneumatic cylinder when the valve is within a first predefined non-zero distance of travel in the first direction and operable to discharge the pressurized gas from the pneumatic cylinder when the valve travels at least the first predefined non-zero distance in the first direction;

wherein the valve is an outwardly opening valve opening in the first direction.

2. The actuation system of claim 1, further comprising: at least one return spring operable to bias the valve in the second direction by applying a spring force to the valve in the second direction; and

a driver operable to apply an actuation force to the valve in the first direction such that the combination of the actuation force and the boost force overcome at least the spring force.

3. The actuation system of claim 2, wherein the at least one return spring is a pneumatic spring.

4. The actuation system of claim 2, wherein the driver is a fluid driver.

5. The actuation system of claim 2, wherein:

the passage is operable to comprise a pressurized gas which applies a pressure force on a head of valve in the second direction; and

the combination of the actuation force and the boost force in the first direction overcome at least the combination of the spring force and the pressure force in the second direction.

6. The actuation system of claim 2, wherein the driver is an electromagnetic driver.

7. The actuation system of claim 2, wherein the driver is operable to apply a force in the second direction, thereby assisting the return spring.

8. The actuation system of claim 1 or 2, wherein:

the charge mechanism includes a control mechanism operable to regulate the charge flow of pressurized gas to the pneumatic cylinder, the control mechanism including an undercut in the valve stem and an orifice gate; and

wherein the control mechanism is operable such that said charge flow is open when the orifice gate and the undercut longitudinally overlap, and said charge flow is closed when the orifice gate and the undercut longitudinally underlap.

9. The actuation system of claim 8, wherein the control mechanism is operable such that the orifice gate and the undercut underlap each other when the valve travels a second predefined non-zero distance in the first direction; and wherein the second predefined non-zero distance is equal to or shorter than the first predefined non-zero distance.

10. The actuation system of claim 1 or 2, further comprising:

a split-cycle engine comprising:

a power piston operable to reciprocate through a power stroke and an exhaust stroke within the engine cylinder;

a compression piston operable to reciprocate through an intake stroke and a compression stroke within a compression cylinder;

where the passage interconnects the compression cylinder and the power-engine cylinder; and

wherein the valve is operable to control fluid communication between the engine cylinder and the passage.

14

11. The actuation system of claim 1 or 2, wherein the high pressure gas source is a pressurized gas in the passage.

12. The actuation system of claim 1 or 2, wherein the high pressure gas source is a pressurized gas in an air storage tank or a separate air reservoir.

13. The actuation system of claim 1 or 2, wherein the bleed mechanism comprises an expanded cylinder wall formed in the pneumatic cylinder, the expanded cylinder wall having a diameter greater than that of the pneumatic cylinder.

14. The actuation system of claim 1 or 2, wherein the bleed mechanism comprises a bleed hole formed in the pneumatic booster.

15. The actuation system of claim 1 or 2, wherein the pneumatic booster includes an engine valve guide arranged in a cylinder head to slidably support the valve along the longitudinal axis operable such that, when the valve travels at least the first predefined distance in the first direction, the pneumatic piston becomes disengaged from the pneumatic cylinder, thereby resulting in a wide-open bleeding process.

16. The actuation system of claim 1 or 2, wherein the bleed mechanism comprises a control valve that controls a rate of bleeding.

17. The actuation system of claim 1 or 2, wherein the pneumatic piston is larger than a head of the valve, thereby operable to introduce a differential air pressure force in the first direction.

18. An actuation system, comprising:

a valve including a stem, the valve operable to move in first and second directions along a longitudinal axis extending through the stem and operable to control fluid communication between a passage and an engine cylinder;

a pneumatic booster including a pneumatic piston operably connected to the stem and slidably disposed in a pneumatic cylinder for at least a part of the pneumatic piston's travel range, wherein the pneumatic booster is operable to apply a boost force to the valve in the first direction;

the pneumatic booster further including a charge mechanism operable to supply the pneumatic cylinder with a charge flow of pressurized gas from a high pressure gas source; and

a restrictive orifice disposed in the charge mechanism, the restrictive orifice operable to substantially restrict said charge flow of the pressurized gas to the pneumatic cylinder;

wherein the restrictive orifice is operable to substantially restrict said charge flow such that, for at least a period of time when pressure in the engine cylinder exceeds pressure in the passage during a combustion event in the engine cylinder, pressure in the pneumatic cylinder is less than pressure in the passage.

19. The actuation system of claim 18, further comprising: at least one return spring operable to bias the valve in the second direction by applying a spring force to the valve in the second direction; and

a driver operable to apply an actuation force to the valve in the first direction such that the combination of the actuation force and the boost force overcome at least the spring force.

20. The actuation system of claim 19, wherein the at least one return spring is a pneumatic spring.

21. The actuation system of claim 19, wherein the driver is a fluid driver.

22. The actuation system of claim 19, wherein the driver is an electromagnetic driver.

15

23. The actuation system of claim 19, wherein the driver is operable to apply a force in the second direction, thereby assisting the return spring.

24. The actuation system of claim 18 or 19, wherein the high pressure gas source is a pressurized gas in the passage. 5

25. The actuation system of claim 18 or 18, wherein the high pressure gas source is a pressurized gas in an air storage tank or a separate air reservoir.

26. The actuation system of claim 18 or 19, wherein the charge mechanism further includes a charge passage, and wherein the orifice is sized to be more restrictive than the charge passage. 10

27. The actuation system of claim 18 or 19, wherein the restrictive orifice is operable to be regulated by a control mechanism that includes a charge valve. 15

28. The actuation system of claim 18, wherein the charge valve is a proportional valve operable to actively control pressure in the pneumatic cylinder.

29. The actuation system of claim 18 or 19, wherein the restrictive orifice is operable to be regulated by a control mechanism operable to regulate a charge flow of pressurized gas to the pneumatic cylinder, the control mechanism including an undercut in the stem and an orifice gate; and 20

wherein the control mechanism is operable such that said charge flow is open when the orifice gate and the undercut longitudinally overlap, and said charge flow is closed when the orifice gate and the undercut longitudinally underlap. 25

30. The actuation system of claim 18 or 19, further comprising:

a split-cycle engine comprising:

a power piston operable to reciprocate through a power stroke and an exhaust stroke within the engine cylinder;

a compression piston operable to reciprocate through an intake stroke and a compression stroke within a compression cylinder; 35

wherein the passage interconnects the compression cylinder and the engine cylinder; and

wherein the valve is operable to control fluid communication between the engine cylinder and the passage. 40

31. An actuation system, comprising:

a valve including a stem, the valve operable to move in first and second directions along a longitudinal axis extending through the stem and operable to control fluid communication between a passage and a cylinder; 45

a pneumatic booster including a pneumatic piston operably connected to the stem and slidably disposed in a pneumatic cylinder for at least a part of the pneumatic piston's travel range, the pneumatic booster further including a charge mechanism operable to charge the pneumatic cylinder with a charge flow of pressurized gas from a high pressure gas source to apply a pressure to the pneumatic piston, wherein the pneumatic booster is operable to apply a boost force to the valve in the first direction; and 55

the charge mechanism further including a control mechanism operable to substantially close off the charge flow of the pressurized gas between the high pressure gas source and the pneumatic cylinder during a substantial

16

portion of a period when the pneumatic cylinder is not at the pneumatic cylinder's minimum volume.

32. The actuation system of claim 31, further comprising: at least one return spring operable to bias the valve in the second direction by applying a spring force to the valve in the second direction; and

a driver operable to apply an actuation force to the valve in the first direction such that the combination of the actuation force and the boost force overcome at least the spring force.

33. The actuation system of claim 32, wherein the at least one return spring is a pneumatic spring.

34. The actuation system of claim 32, wherein the driver is a fluid driver.

35. The actuation system of claim 32, wherein the driver is an electromagnetic driver.

36. The actuation system of claim 32, wherein the driver is operable to apply a force in the second direction, thereby assisting the return spring.

37. The actuation system of claim 31 or 32, wherein the high pressure gas source is a pressurized gas in the passage.

38. The actuation system of claim 31 or 32, wherein the high pressure gas source is a pressurized gas in an air storage tank or a separate air reservoir.

39. The actuation system of claim 31 or 32, wherein the charge mechanism further includes a charge passage and a charge orifice, and wherein the charge orifice is sized to be more restrictive than the charge passage.

40. The actuation system of claim 39, wherein the pneumatic cylinder is operable to be pressurized by volumetric contraction and charging action through the charge orifice to thereby achieve soft-seating of the valve.

41. The actuation system of claim 31 or 32, wherein the control mechanism includes a charge valve.

42. The actuation system of claim 41, wherein the charge valve is a proportional valve operable to actively control pressure in the pneumatic cylinder.

43. The actuation system of claim 31 or 32, wherein the control mechanism includes an undercut in the stem and an orifice gate; and

wherein the control mechanism is operable such that said charge flow is open when the orifice gate and the undercut longitudinally overlap, and said charge flow is closed when the orifice gate and the undercut longitudinally underlap.

44. The actuation system of claim 31 or 32, further comprising:

a split-cycle engine comprising:

a power piston operable to reciprocate through a power stroke and an exhaust stroke within the engine cylinder;

a compression piston operable to reciprocate through an intake stroke and a compression stroke within a compression cylinder;

wherein the passage interconnects the compression cylinder and the engine cylinder; and

wherein the valve is operable to control fluid communication between the engine cylinder and the passage.

* * * * *