



Australian Government

IP Australia

LETTERS PATENT

STANDARD PATENT

2009203083

I, Fatima Beattie, the Commissioner of Patents, grant a Standard Patent with the following particulars:

Name and Address of Patentee(s):

Scuderi Group, LLC
1111 Elm Street, Suite 4, West Springfield, MA, 01089, United States of America

Name of Actual Inventor(s):

Scuderi, Stephen P. and Scuderi, Salvatore C.

Title of Invention:

Split-cycle air hybrid engine

Term of Letters Patent:

Twenty years from 21 November 2006

Priority Details:

Divisional of: 2006335254



Dated this 19th day of January 2012

Fatima Beattie
Commissioner of Patents

PATENTS ACT 1990

(12) STANDARD PATENT
(19) AUSTRALIAN PATENT OFFICE

(11) Application No. AU 2009203083 B2

(54) Title
Split-cycle air hybrid engine

(51) International Patent Classification(s)
F02B 25/00 (2006.01) **F02B 33/22** (2006.01)
B60K 6/20 (2007.10)

(21) Application No: **2009203083** (22) Date of Filing: **2009.07.29**

(43) Publication Date: **2009.08.20**

(43) Publication Journal Date: **2009.08.20**

(44) Accepted Journal Date: **2011.10.06**

(62) Divisional of:
2006335254

(71) Applicant(s)
Scuderi Group, LLC

(72) Inventor(s)
Scuderi, Stephen P.; Scuderi, Salvatore C.

(74) Agent / Attorney
Davies Collison Cave, Level 14 255 Elizabeth Street, Sydney, NSW, 2000

(56) Related Art
US 4215659 A
US 4418657 A

29 Jul 2009

2009203083

ABSTRACT

An engine comprising a crankshaft rotatable about a crankshaft axis; a power piston slidably received within a power cylinder and operatively connected to the crankshaft such that the power piston reciprocates through an expansion stroke and an exhaust stroke during a single rotation of the crankshaft and such that the ratio of the volume in the power cylinder when the power piston is at its bottom dead center (BDC) position to the volume in the power cylinder when the power piston is at its top dead center (TDC) position is 26 to 1 or greater; a compression piston slidably received within a compression cylinder and operatively connected to the crankshaft such that the compression piston reciprocates through an intake stroke and a compression stroke during a single rotation of the crankshaft; a gas passage interconnecting the compression and power cylinders, the gas passage including an inlet valve and an outlet valve defining a pressure chamber therebetween; and an air reservoir connected by a reservoir passage to the pressure chamber at a location between the inlet valve and the outlet valve, the reservoir passage being selectively operable to receive compressed air from the compression cylinder to the air reservoir, and to deliver compressed air from the air reservoir to the power cylinder; wherein the engine is operable in a pre-compressed air power (PAP) mode. In the PAP mode, the power cylinder receives a first charge of compressed air from the air reservoir during a first expansion stroke of the power piston, said first charge of compressed air is mixed with fuel during said first expansion stroke and combustion of the fuel is initiated in the power cylinder during said first expansion stroke.

Fig. 1

2009203083 29 Jul 2009

Australian Patents Act 1990 – Regulation 3.2

**ORIGINAL COMPLETE SPECIFICATION
STANDARD PATENT**

**Invention Title:
Split-cycle air hybrid engine**

The following statement is a full description of this invention, including the best method of performing it known to me:-

2009203083 29 Jul 2009

SPLIT-CYCLE AIR HYBRID ENGINE

CROSS REFERENCE TO RELATED APPLICATIONS

This application claims the benefit of US Application Serial No. 11/326,909, filed on January 7, 2006, titled SPLIT-CYCLE AIR HYBRID ENGINE, which is herein incorporated by reference in its entirety.

TECHNICAL FIELD

This invention relates to split-cycle engines and, more particularly, to such an engine incorporating an air hybrid system.

5

BACKGROUND OF THE INVENTION

The term split-cycle engine as used in the present application may not have yet received a fixed meaning commonly known to those skilled in the engine art. Accordingly, for purposes of clarity, the following definition is offered for the term split-cycle engine as may be applied to engines disclosed in the prior art and as referred to in the present application.

A split-cycle engine as referred to herein comprises:
a crankshaft rotatable about a crankshaft axis;
a power piston slidably received within a power cylinder and operatively connected to the crankshaft such that the power piston reciprocates through a power (or expansion) stroke and an exhaust stroke during a single rotation of the crankshaft;
a compression piston slidably received within a compression cylinder and operatively connected to the crankshaft such that the compression

piston reciprocates through an intake stroke and a compression stroke during a single rotation of the crankshaft; and

a gas passage interconnecting the power and compression cylinders, the gas passage including an inlet valve and an outlet (or crossover) valve defining a pressure chamber therebetween.

For purposes of clarity, the following is a list of acronyms for the various engine operating modes described herein:

AC Air compressor;
AM Air motoring;
CB Compression braking;
ICE Internal combustion engine;
PAP Pre-compressed air power;
PCA Pre-compressed combustion air.

15

United States patents US 6,543,225 B2, US 6,609,371 B2 and US 6,952,923, all assigned to the assignee of the present invention, disclose examples of split-cycle internal combustion engines as herein defined. These patents contain an extensive list of United States and foreign patents and publications cited as background in the allowance of these patents. The term "split-cycle" has been used for these engines because they literally split the four strokes of a conventional pressure/volume Otto cycle (i.e., intake, compression, power and exhaust) over two dedicated cylinders: one cylinder dedicated to the high pressure compression stroke, and the other cylinder dedicated to the high pressure power stroke.

25

Considerable research has been recently devoted to air hybrid engines as compared, for example, to electric hybrid systems. The electric hybrid system requires the addition to the conventional four stroke cycle engine of batteries and an electric generator and motor. The air hybrid needs only the addition of an air pressure reservoir added to an engine incorporating the functions of a compressor and an air motor, together with the functions of a

30

conventional engine, for providing the hybrid system benefits. These functions include storing pressurized air during braking and using the pressurized air for driving the engine during subsequent starting and acceleration.

5 However, the prior art appears to involve only adapting a conventional four stroke cycle engine to perform the compression, combustion and motoring functions in a single cylinder. This, then, requires a complex valve and drivetrain system and control which is capable of switching from a compression-braking (CB) mode to an air motoring (AM) mode and back to a
10 conventional internal combustion engine (ICE) mode during operation.

 In a typical example, when not storing or utilizing compressed air to drive the vehicle, a prior art air hybrid engine operates as a conventional internal combustion engine, where the four strokes of the Otto cycle (intake,
15 compression, power and exhaust) are performed in each piston every two revolutions of the crankshaft. However, during the compression-braking mode, each cylinder of the conventional engine is configured to operate as a reciprocating piston two-stroke air compressor, driven from the vehicle wheels by vehicle motion. Air is received from outside atmosphere into the engine
20 cylinders, compressed there, and displaced into an air-reservoir. Work performed by the engine pistons absorbs the kinetic energy of the vehicle and slows it down or restricts its motion. In this way the kinetic energy of the vehicle motion is transformed into energy of compressed air stored in the air reservoir.

25 During the air motoring mode, each cylinder of the engine is configured to utilize the stored compressed air to produce power strokes for propulsion without combustion. This may be accomplished by first expanding the stored, compressed air into the cylinders to drive the pistons down from top
30 dead center (TDC) to bottom dead center (BDC) for a first power stroke. Then the pistons compress the expanded gas as they travel from BDC to TDC. Fuel is then injected into the cylinders and ignited just before TDC. The expanding

products of combustion then drive the pistons down again for a second power stroke on the second revolution of the crankshaft.

Alternatively, air-motoring may be accomplished by expanding
5 the stored compressed air to drive the power piston down from TDC to BDC for a power stroke without combustion for each revolution of the crankshaft. This alternative method of air motoring may continue until the pressure in the air reservoir falls below a threshold level, whereupon the engine may switch to either the previously described air motoring mode or a conventional ICE engine
10 mode of operation.

Problematically, in order to switch among the CB, AM and ICE modes, the valve/drive train system becomes complex, costly and hard to control or maintain. Additionally, since each cylinder must perform all of the
15 functions for each mode, they cannot be optimized easily. For example, the pistons and cylinders must be designed to withstand an explosive combustion event, even when just acting as an air compressor. Accordingly, due to the tolerances and materials required to withstand the heat of combustion, some sacrifice must be made to the efficiency of the compressor mode.

20 Another problem with performing all functions for each mode (ICE, CB and AM) in every cylinder is that no two modes can be performed in parallel (i.e. simultaneously). Because prior art air hybrid systems utilize conventional engines, they are restricted to operating in each mode serially,
25 which imposes inherent limitations on their capabilities. For example, because the CB mode cannot be utilized when the engine is operating as an internal combustion engine (in ICE mode), the air reservoir can only be charged during the braking function of a moving vehicle. This limitation leads to problems in maintaining the stored charge in the air reservoir. Additionally, this limitation
30 also means that prior art air hybrid systems are only applicable to moving vehicles, and are not practical for stationary applications such as stationary generators.

2009203083 13 Sep 2011

SUMMARY OF THE INVENTION

In accordance with the invention, there is provided an engine
5 comprising:

a crankshaft rotatable about a crankshaft axis;

a power piston slidably received within a power cylinder
and operatively connected to the crankshaft such that the power piston reciprocates
through an expansion stroke and an exhaust stroke during a single rotation of the
10 crankshaft and such that the ratio of the volume in the power cylinder when the
power piston is at its bottom dead center (BDC) position to the volume in the
power cylinder when the power piston is at its top dead center (TDC) position is 26
to 1 or greater;

a compression piston slidably received within a
15 compression cylinder and operatively connected to the crankshaft such that the
compression piston reciprocates through an intake stroke and a compression stroke
during a single rotation of the crankshaft;

a gas passage interconnecting the compression and power
cylinders, the gas passage including an inlet valve and an outlet valve defining a
20 pressure chamber therebetween; and

an air reservoir connected by a reservoir passage to the
pressure chamber at a location between the inlet valve and the outlet valve, the
reservoir passage being selectively operable to receive compressed air from the
compression cylinder to the air reservoir, and to deliver compressed air from the air
25 reservoir to the power cylinder;

2009203083 13 Sep 2011

wherein the engine is operable in a pre-compressed air power (PAP) mode, wherein in the PAP mode:

- 5 the power cylinder receives a first charge of compressed air from the air reservoir during a first expansion stroke of the power piston;
- said first charge of compressed air is mixed with fuel during said first expansion stroke; and
- 10 combustion of the fuel is initiated in the power cylinder during said first expansion stroke.

15 Preferably, the ratio of the volume in the power cylinder when the power piston is at its bottom dead center (BDC) position to the volume in the power cylinder when the power piston is at its top dead center (TDC) position is 40 to 1 or greater

20 Preferably, during the PAP mode, combustion of the fuel is initiated between 5 to 30 degrees of crank angle (CA) after top dead center (TDC) of the power piston.

Preferably, the outlet valve is open after combustion is initiated in the power cylinder and during said first expansion stroke.

25 Preferably, the number degrees of angle of the crankshaft required to open and close the outlet valve is 69 degrees or less during the PAP mode.

2009203083 13 Sep 2011

Preferably, the number degrees of angle of the crankshaft required to open and close the outlet valve is 50 degrees or less during the PAP mode.

5 Preferably, the air reservoir is an accumulator allowing storage of a range of air volumes.

10 Preferably, the air reservoir is an accumulator allowing storage of a range of air volumes at a relatively constant pressure.

These and other features and advantages of the invention will be more fully understood from the following detailed description of the invention taken together with the accompanying drawings.

5

2009203083 13 Sep 2011

BRIEF DESCRIPTION OF THE DRAWINGS

In the drawings:

5 FIG. 1 is a schematic diagram showing a first embodiment of a split-cycle air hybrid engine having an air reservoir and control valves according to the invention;

10 FIG. 2 is a view similar to FIG. 1 but showing a second embodiment with a separate crossover (or gas) passage connected with the air reservoir and an added control valve;

15 FIG. 3 is a view similar to FIG. 2 but showing a third embodiment with an added reservoir control valve;

 FIG. 4 is a view similar to FIG. 3 but showing a fourth embodiment including a constant pressure accumulator in the air reservoir;

20 FIG. 5 is a view similar to FIG. 3 showing a fifth embodiment having a common reservoir for multiple cylinder pairs; and

 FIG. 6 is a view similar to FIG. 3 showing a sixth embodiment having the reservoir in parallel with the crossover passage and separately valved between the cylinders.

25

DETAILED DESCRIPTION OF THE INVENTION

 Referring first to FIG. 1 of the drawings in detail, numeral 10 generally indicates a first exemplary embodiment of a split cycle air hybrid engine according to the invention. Engine 10, shown schematically, is generally of the split-cycle type disclosed in the prior United States patents 6,543,225 B2,

30

6,069,371 B2 and 6,952,923 B2 (Scuderl patents), herein incorporated by reference in their entirety.

As shown, the engine includes an engine block 12 having a first
5 cylinder 14 and an adjacent second cylinder 16 extending therethrough. A
crankshaft 18 is journaled in the block 12 for rotation about a crankshaft axis 20,
extending perpendicular to the plane of the drawing. Upper ends of the cylinders
14, 16 are closed by a cylinder head 22

10 The first and second cylinders 14, 16 define internal bearing
surfaces in which are received for reciprocation a first power piston 24 and a
second compression piston 26, respectively. The cylinder head 22, the power
piston 24 and the first cylinder 14 define a variable volume combustion chamber
25 in the power cylinder 14. The cylinder head 22, the compression piston 26 and
15 the second cylinder 16 define a variable volume compression chamber 27 in the
compression cylinder 16.

The crankshaft 18 includes axially displaced and angularly offset
first and second crank throws 28, 30, having a phase angle 31 therebetween. The
20 first crank throw 28 is pivotally joined by a first connecting rod 32 to the first
power piston 24 and the second crank throw 30 is pivotally joined by a second
connecting rod 34 to the second compression piston 26 to reciprocate the pistons
in their cylinders in timed relation determined by the angular offset of their crank
throws and the geometric relationships of the cylinders, crank and pistons.

25 Alternative mechanisms for relating the motion and timing of the
pistons may be utilized if desired. The timing may be similar to, or varied as
desired from, the disclosures of the Scuderl patents. The rotational direction of the
crankshaft and the relative motions of the pistons near their bottom dead center
30 (BDC) positions are indicated by the arrows associated in the drawings with their
corresponding components.

The cylinder head 22 includes any of various passages, ports and valves suitable for accomplishing the desired purposes of the split-cycle air hybrid engine 10. In the illustrated first embodiment, the gas passage/pressure chamber of the previously mentioned patents is replaced by a much larger air reservoir 36 connected to the head 22 through a reservoir inlet port 38 opening into the closed end of the second cylinder 16 and a reservoir outlet port 40 opening into the closed end of the first cylinder 14. As opposed to a smaller gas passage of a type exemplified in the Scuderi patents, the air reservoir 36 is sized to receive and store compressed air energy from a plurality of compression strokes of the compression piston 26. The second cylinder 16 also connects with a conventional intake port 42 and the first cylinder 14 also connects with a conventional exhaust port 44.

Valves in the cylinder head 22, which are similar to valves of the engine in the Scuderi patents, include a reservoir inlet check valve 46 and three cam actuated poppet valves, a reservoir outlet valve (or crossover valve) 50, a second cylinder intake valve 52, and a first cylinder exhaust valve 54. The check valve 46 allows only one way compressed air flow into the reservoir inlet port 38 from the second (compression) cylinder 16. The reservoir outlet valve 50 is opened to allow high pressure air flow from the reservoir 36 into the first (power) cylinder 14.

The present engine 10 includes two additional valves that may be solenoid actuated. These include an intake control valve 56 in the cylinder intake port 42 and a reservoir outlet control valve 58 in the reservoir outlet port 40. These valves may be two position on-off valves but could include variable position controls so that they could be operated as throttle valves if desired.

The poppet valves 50, 52, 54 may be actuated by any suitable devices, such as camshafts 60, 62, 64 having cam lobes 66, 68, 70 respectively engaging the valves 50, 52, 54 for actuating the valves as will be subsequently

discussed. Alternatively, the valves 50, 52 and 54, as well as the other valves 46, 56 and 58, may be electronically, pneumatically or hydraulically actuated.

5 A spark plug 72 is also mounted in the cylinder head with electrodes extending into the combustion chamber 25 for igniting air-fuel charges at precise times by an ignition control, not shown. It should be understood that the engine may be made as a diesel engine and be operated without a spark plug if desired. Moreover, the engine 10 may be designed to operate on any fuel
10 suitable for reciprocating piston engines in general, such as hydrogen or natural gas.

FIGS. 2 through 6 of the drawings disclose various alternative embodiments which are variations of the engine 10 of FIG. 1 and are described below. Operation of all six of the exemplary embodiments will be described
15 thereafter.

Referring to FIG. 2, a second embodiment of engine 74 is disclosed wherein like reference numerals indicate like parts. Engine 74 is generally similar to engine 10, but differs in that a small volume crossover (or gas) passage 76 is
20 connected between the inlet port 38 and inlet check valve 46 at one end and the outlet port 40 and outlet valve 50 at an opposite end. This crossover passage 76 extends between the compression chamber 27 in the second cylinder 16 and the combustion chamber 25 in the first cylinder 14 and is similar to the crossover passage in the prior Scuderi patents. As opposed to an air reservoir, this
25 crossover passage 76 is not sized to store a substantial amount of compressed air energy for later use. Rather the passage 76 is typically designed to be as small as practically possible for the most efficient transfer of compressed gas during the ICE mode of the engine 74.

30 In an additional modification, separate air reservoir 36 is connected through a reservoir runner or reservoir passage 78 to the crossover passage 76 and connects to the inlet and outlet ports 38, 40 through the crossover passage 76. The

reservoir outlet solenoid control valve 58 is located in the passage 76 between the outlet port 40 and the reservoir runner 78. Valve 58 is open during ICE mode to allow compressed air to follow the path of least resistance and flow primarily through passage 76 into combustion chamber 25. Valve 58 may be closed during AC mode to pump compressed air into reservoir 36 and may be open during PAP mode to retrieve compressed air from the reservoir 36.

Referring now to FIG. 3 of the drawings, a third embodiment of engine 80 is disclosed, which differs from engine 74 in FIG. 3, only in the addition of a third solenoid valve 82. Valve 82 is located in the runner 78 at its junction with the crossover passage 76 to cut off the connection of the air reservoir 36 with the crossover passage when desired.

By isolating the air reservoir 36 via valve 82, the overall engine 80 performance can be more effectively optimized during the ICE mode of operation. For example, during the ICE mode all compressed air can be made to flow through the crossover passage 76. Accordingly, the crossover passage 76 can be designed for the most efficient transfer of gas without interacting with the air reservoir. Additionally valve 82 can also be utilized as a throttling valve for part load conditions during the PAP mode.

FIG. 4 shows a fourth embodiment of engine 84 similar to the engine 80 of FIG. 3. It differs in the conversion of the air reservoir into a pressure accumulator 86 by the addition of a diaphragm or bladder 87 and spring mechanism 88. These act to pressurize air that is present in the accumulator 86 and to maintain the contents at a relatively constant pressure between conditions where the reservoir is either empty or is filled up to the maximum control pressure.

FIG. 5 illustrates a fifth embodiment of a multicylinder engine 89 having at least two cylinder pairs 90, each equivalent to the engine 80 of FIG. 3. Engine 89 is modified to include a common supply reservoir 92 that is joined to crossover passages 76 of all the cylinder pairs with a reservoir control solenoid

valve 82 controlling communication of each reservoir runner 78 with its respective crossover passage 76.

FIG. 6 discloses a sixth embodiment of engine 94 that is most similar to engine 80 of FIG. 3. Engine 94 differs in that the air reservoir 36 is separated from direct connection with the crossover passage 76, which remains controlled by check valve 46, solenoid valve 58 and outlet valve 50. The air reservoir 36 is connected in parallel with the crossover passage 76 by first and second reservoir runners (or passages) 96, 98, respectively connecting the reservoir directly to the combustion chamber 25 of the first cylinder 14 and the compression chamber 27 of the second cylinder 16. Fourth and fifth solenoid control valves 100, 102 respectively control flow between the runners 96, 98 and the cylinders 14, 16.

Operation of the described exemplary embodiments of split-cycle air hybrid engines according to the invention will now be discussed for purposes of explanation and not of limitation, it being understood that additional methods and variations will be apparent that should properly fall within the intended scope of the invention.

Basically, split-cycle air hybrid engines of the present invention are typically operable in at least three modes, an internal combustion engine (ICE) mode, an air compressor (AC) mode and a pre-compressed air power (PAP) mode. The PAP mode preferably includes a pre-compressed combustion-air power (PCA) mode wherein pre-compressed air and fuel are mixed shortly after the power piston reaches its top dead center position during an expansion stroke and then the fuel/air mixture is combusted to drive the power piston down during the same expansion stroke. Alternatively, the PAP mode could also include various forms of air motoring (AM) modes (as previously exemplified herein) wherein pre-compressed air is utilized to provide an expansion stroke without combustion. As will be discussed in greater detail, because the split-cycle air hybrid of the present invention has separate dedicated

compression and power cylinders, the three modes, ICE, AC and PAP, can be run either serially or in parallel as desired.

5 The ICE mode is basically the normal operating mode of the engines disclosed in the previously mentioned Scuderi patents. The intake, compression, power and exhaust strokes of a conventional piston engine cycle are split between the compression and power cylinders of the split-cycle engine.

10 Referring to the embodiment of FIG. 1, split cycle engines as described in the Scuderi US Patents (6,543,225, 6,609,371 and 6,952,923) include structural parameters that are advantageous over prior art split-cycle engines. Many of these advantages will be described in relation to the following discussion of the ICE mode of the engine 10. It is important to note that the air reservoir 36 of Fig. 1 performs the combined functions of both the
15 separated crossover (or gas) passage 76 and air reservoir 36 of subsequent Figs. 2-6.

In the ICE mode, the intake solenoid valves 96, 98 remain open. On the intake stroke, intake valve 52 opens as the compression piston moves
20 down, drawing in air to the compression chamber 27. On the compression stroke, the intake valve 52 closes and the piston 26 moves up, compressing the air and forcing it through the check valve 46 and the inlet port 38 into the air reservoir 36.

25 The power piston 24 leads the compression piston 26 by a phase angle 31 that is substantially greater than 0 degrees of rotation of the crankshaft. The phase angle 31 as defined herein is the degrees of crank angle (CA) rotation the crankshaft 18 must rotate after the power piston 24 has reached its top dead center (TDC) position in order for the compression piston 26 to reach its
30 respective TDC position. In the particular embodiment illustrated in Fig. 1, the magnitude of the angle between the first and second crank throws 28 and 30 is equal to the phase angle 31. Preferably this phase angle is between 10 and 40

degrees CA and more preferably between 20 and 30 degrees CA. The phase angle 31 is sized such that as the compression piston 26 ascends toward its TDC position and the power piston descends from its TDC position, a substantially equal mass of compressed air is transferred into and out of the air reservoir 36
5 (in subsequent Figs 2-6 a substantially equal mass of compressed air is transferred into and out of the gas passage 76).

On the power stroke, outlet (or crossover) valve 50 is typically open at TDC of the power piston 24. Preferably the outlet valve 50 is opened
10 within a range of 10 to 0 degrees CA before TDC of the power piston 24, and more preferably within a range of 7 to 3 degrees CA before TDC of the power piston. The outlet valve 50 is preferably closed within a range of 10 to 40 degrees CA after TDC of the power piston 24, and more preferably closes within a range of 20 to 30 degrees CA after TDC of the power piston.

15

The power piston 24 descends from its TDC position toward a combustion ignition position, which is typically within a range of 5 to 40 degrees CA after TDC and more preferably within a range of 10 to 30 degrees CA after TDC. Fuel may be injected and mixed with the compressed air by at
20 least two methods, i.e., either in the air reservoir 36 just up stream of the outlet valve 50 (port fuel injection), or directly into the power cylinder 14 (direct injection). Once the power piston 24 reaches its combustion ignition position, the fuel/air mixture is ignited by spark plug 72 (or compression ignition if a diesel engine), forcing the piston 24 down to BDC and delivering power to the
25 crankshaft 18. The pressure at which combustion ignition occurs is the ignition (or firing) condition pressure.

On the exhaust stroke, the exhaust valve 54 opens and crossover valve 50 is closed. As the power piston 24 moves upward from BDC to TDC,
30 the spent exhaust gases are forced out of the combustion chamber 25 through the exhaust port 44.

5 The intake and compression strokes for a pressure/volume cycle within the engine take place during the same crankshaft revolution as the power and exhaust strokes of the cycle, except that the power and exhaust strokes are advanced by the fixed phase angle 31. Thus a new pressure/volume cycle is completed each revolution of the engine crankshaft instead of in two revolutions as in a conventional four-stroke engine. However, the inlet valve 46 and outlet valve 50 maintain the gas pressure within the air reservoir 36 at or above ignition (or firing) condition pressure during the entire four-stroke cycle.

10 One of the basic differences between the Scuderi Split-Cycle and the prior art is the parameter that pressure in the gas passage is maintained at or above the firing condition pressure during all four strokes of the Otto cycle combined with the parameter that ignition in the power cylinder occurs substantially after top dead center (i.e., more than 5 degrees and preferably
15 more than 10 degrees ATDC). This sets up a condition where the combustion event (or flame speed) is very fast (occurring within 24 degrees CA or less), and the NOx emissions output is very low (50 to 80 percent less than a conventional engine). Another unique aspect of the Scuderi Split-Cycle, not found in the prior art, is that the centerline of the power and compression cylinders are offset
20 from the crankshaft axis. This enables the piston skirt to cylinder wall friction to be substantially reduced. All three of these advantageous features (maintaining firing condition pressures in the gas passage, firing after top dead center, and the offsets) are disclosed and claimed in the Scuderi Patents.

25 In addition to the above parameters, several other parameters have also been identified in the Scuderi Patents, which have a significant effect on engine efficiency. These parameters include:

- 30 1. Maintaining the compression and expansion ratios equal to or greater than 26 to 1, preferably equal to or greater than 40 to 1, and more preferably equal to or greater than 80 to 1;

2. The crossover valve duration (amount of crank angle (CA) rotation needed to open and close valve 50) should be equal to or less than 69 degrees, preferably less than 50 degrees, and more preferable less than 35 degrees; and
- 5 3. The crossover valve 50 should be open for a small percentage of time after combustion is initiated in the power cylinder.

During braking of a vehicle driven by an engine 10, the engine is
10 switched to operation in the air compressor (AC) mode. Fuel injection is stopped
and the solenoid valve 58 is closed, preventing air flow through the outlet port 40
and suspending power delivery from the power piston 24, thus placing the power
piston 24 in an idle mode. However, the compression piston continues to operate,
driven by the inertia of the moving vehicle, and to pump the compressed air into
15 the air reservoir 36. The pumping action effectively slows, or brakes, the vehicle
and the braking action becomes increasingly effective as the reservoir air pressure
increases. The increased pressure in the reservoir is retained for later use in the
PAP mode.

20 While in AC mode, the exhaust valve 54 may be held open to
reduce idling losses on the power piston 24. Moreover, the power piston could
be used to increase the braking effect in various ways, such as by altering the valve
timing and operation to draw in and compress further air into the air reservoir.
Alternatively (to keep the air reservoir clean), the piston 24 could be used as a
25 conventional compression brake, drawing in air on the downstroke, compressing it
on the upstroke and opening the exhaust valve 54 near top dead center (TDC) to
discharge the compressed air and dissipate its energy. This could increase braking
and reduce brake wear but would limit the recovery of energy from the
compressed air in the PCA or AM modes.

30

Referring still to FIG. 1, the preferred third mode of operation is
pre-compressed combustion air (PCA) which, from prior AC operation, has stored

compressed air in the reservoir 36 at a higher pressure than generally occurs in ICE operation. The engine has at least slowed down and is ready to be accelerated. To run the PCA mode, the outlet solenoid valve 58 is opened and spark ignition and fuel injection functions are reactivated. Also, the compression piston is idled by holding open both the intake valve 52 and the intake solenoid valve 56 so that the compression piston 26 moves freely without resistance and no air is compressed or added to the reservoir 36.

If valve 52 is not independently adjustable, the compression piston 26 may also be placed in idle mode by closing solenoid valve 56. In this way the compression piston alternately compresses and expands the gas trapped in the cylinder. The compression and expansion of the trapped gas alternates the negative and positive work done on the crankshaft by the piston. Since the negative and positive work is approximately equal, the net work done on the crankshaft by the piston operating in this mode is negligible. Still another method of placing the compression piston in idle mode is to prevent the compression piston 26 from reciprocating by operatively disconnecting it from the crankshaft 18. In any of the above examples of the compression piston's idle mode, the total amount of net negative work done on the crankshaft is negligible.

Shortly after or just prior to TDC of the power piston 24, as in ICE operation, the reservoir outlet valve 50 opens, forcing a charge of compressed air (preferably controlled and with added fuel) from the reservoir 36 into the combustion chamber. Within a range of 5 to 40 degrees CA after TDC, and preferably within a range of 10 to 20 degrees CA after TDC, the fuel is quickly ignited and burns on the power stroke, providing power to the crankshaft. Exhaust products are discharged on the exhaust upstroke and the cycle is repeated.

As the vehicle is accelerated and returns to normal operation, the stored high pressure air continues to be used for combustion in the power cylinder 14 until the pressure drops to a normal operating pressure and the engine is

returned to full ICE operation. However, operation in PCA mode as long as possible increases operating efficiency because compression energy from braking is returned to the PCA power cycle while the compressor piston 26 is idling using very little energy. Thus the vehicle braking compression energy is used to provide
5 compression energy in the PCA power mode.

If the engine is stopped, stored compression energy can be used to start the engine, and the vehicle if desired, until a minimum speed is reached, whereupon the engine may be returned to ICE operation. However, a backup
10 electric starter may be desirable.

Referring again to FIG. 2, operation of the engine 72 is similar to that of engine 10 (FIG. 1). However, use of the small volume crossover passage 76 for flow between cylinders substantially avoids flow through the air reservoir
15 36 during ICE operation and potentially reduces undesirable pressure variations in the gas passage 76 that could adversely affect engine performance.

In the embodiment of FIG. 3, the addition of the solenoid valve 82 at the reservoir connection with the crossover passage 76 allows cutting off the
20 reservoir to maintain a higher or lower pressure therein while the smaller crossover passage 76 can operate with rapidly changing pressures in normal ICE engine operation for a split cycle engine.

In FIG. 4, the replacement of the air reservoir with an accumulator
25 86 allows the storage of a range of air volumes at a relatively constant pressure for use, primarily, in controlling air charge volumes delivered to the combustion chamber by controlling only the outlet valve 50 opening time.

The use of a common air reservoir, or accumulator, as in FIG. 5,
30 may reduce manufacturing costs. Although the common air reservoir is illustrated in FIG. 5 as connected directly to the gas passages, one skilled in the art would recognize that the air reservoir may be configured to connect to the split-cycle

engine in other ways. For example, the common air reservoir may be an integral part of the gas passage as in FIG. 1, or may be connected in parallel with the gas passage as in FIG. 6.

5 The embodiment of FIG. 6 further separates the effects of the air reservoir 36 on pressures in the crossover passage 76 and allows more complete separation of operation in the ICE mode from either the AC mode or the PCA mode.

10 Referring to Figs. 1-6 in general, a distinct advantage of the present invention is that air hybrid systems utilizing a split-cycle engine 10, 74, 80, 84, 89 and 94 can function in the various operating modes (ICE, AC and PAP) simultaneously (or in parallel) over the paired compression cylinders 16 and power cylinders 14, rather than being restricted to operating each mode
15 serially out of a single cylinder. This parallel mode ability inherently provides added capabilities and expanded applications for split-cycle air hybrid systems.

Referring now to Fig. 3 as an example, under part load conditions the engine 80 can simultaneously operate in the ICE mode while
20 continuously charging the air reservoir in the AC mode. That is, a full charge of air may be made to enter the compression cylinder 16 on an intake stroke where it is compressed and forced into gas passage 76. However, only a fraction of the air charge is required to operate the ICE mode under part load conditions. Accordingly, only a portion of the charge may be routed to the power cylinder
25 14 while the remainder of the charge can be diverted to the air reservoir 36 to keep it fully charged. In this way, split-cycle air hybrid systems have the ability to continuously charge their air reservoirs under part load conditions.

30 Additionally, in much the same fashion, waste energy from exhaust gas can be re-circulated, either directly or through a turbocharger, back into the intake of a split-cycle air hybrid engine 80 to be stored as compressed air energy in the air reservoir 36. Advantageously, this technique of recovering

2009203083 13 Sep 2011

exhaust gas energy while operating under part load conditions can also be utilized in stationary applications, e.g., in stationary generators.

5 Although the invention has been described by reference to certain specific embodiments, it should be understood that numerous changes may be made within the spirit and scope of the inventive concepts disclosed. Accordingly, it is intended that the invention not be limited to the described embodiments, but that it have the full scope defined by the language of the following claims.

10 The reference in this specification to any prior publication (or information derived from it), or to any matter which is known, is not, and should not be taken as, an acknowledgement or admission or any form of suggestion that that prior publication (or information derived from it) or known matter forms part
15 of the common general knowledge in the field of endeavour to which this specification relates.

20 Throughout this specification and the claims which follow, unless the context requires otherwise, the word "comprise", and variations such as "comprises" or "comprising", will be understood to imply the inclusion of a stated integer or step or group of integers or steps but not the exclusion of any other integer or step or group of integers or steps.

2009203083 13 Sep 2011

The claims defining the present invention are as follows:

1. An engine comprising:

a crankshaft rotatable about a crankshaft axis;

a power piston slidably received within a power cylinder and operatively connected to the crankshaft such that the power piston reciprocates through an expansion stroke and an exhaust stroke during a single rotation of the crankshaft and such that the ratio of the volume in the power cylinder when the power piston is at its bottom dead center (BDC) position to the volume in the power cylinder when the power piston is at its top dead center (TDC) position is 26 to 1 or greater;

a compression piston slidably received within a compression cylinder and operatively connected to the crankshaft such that the compression piston reciprocates through an intake stroke and a compression stroke during a single rotation of the crankshaft;

a gas passage interconnecting the compression and power cylinders, the gas passage including an inlet valve and an outlet valve defining a pressure chamber therebetween; and

an air reservoir connected by a reservoir passage to the pressure chamber at a location between the inlet valve and the outlet valve, the reservoir passage being selectively operable to receive compressed air from the compression cylinder to the air reservoir, and to deliver compressed air from the air reservoir to the power cylinder;

wherein the engine is operable in a pre-compressed air power (PAP) mode, wherein in the PAP mode:

the power cylinder receives a first charge of compressed air from the air reservoir during a first expansion stroke of the power piston;

said first charge of compressed air is mixed with fuel during said first expansion stroke; and

combustion of the fuel is initiated in the power cylinder during said first expansion stroke.

2009203083 13 Sep 2011

2. The engine of claim 1, wherein the ratio of the volume in the power cylinder when the power piston is at its bottom dead center (BDC) position to the volume in the power cylinder when the power piston is at its top dead center (TDC) position is 40 to 1 or greater.
3. The engine of claim 1, wherein during the PAP mode, combustion of the fuel is initiated between 5 to 30 degrees of crank angle (CA) after top dead center (TDC) of the power piston.
4. The engine of claim 1, wherein the outlet valve is open after combustion is initiated in the power cylinder and during said first expansion stroke.
5. The engine of claim 1, wherein the number degrees of angle of the crankshaft required to open and close the outlet valve is 69 degrees or less during the PAP mode.
6. The engine of claim 1, wherein the number degrees of angle of the crankshaft required to open and close the outlet valve is 50 degrees or less during the PAP mode.
7. The engine of claim 1, wherein the air reservoir is an accumulator allowing storage of a range of air volumes.
8. The engine of claim 1, wherein the air reservoir is an accumulator allowing storage of a range of air volumes at a relatively constant pressure.
9. An engine, substantially as described with reference to the drawings and/or examples.

FIG. 1

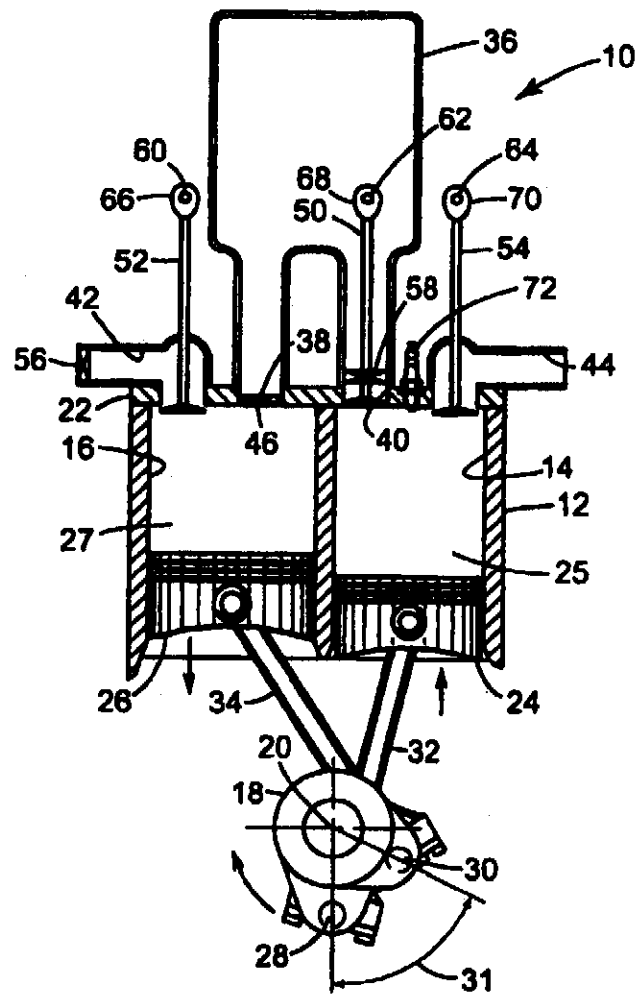


FIG. 2

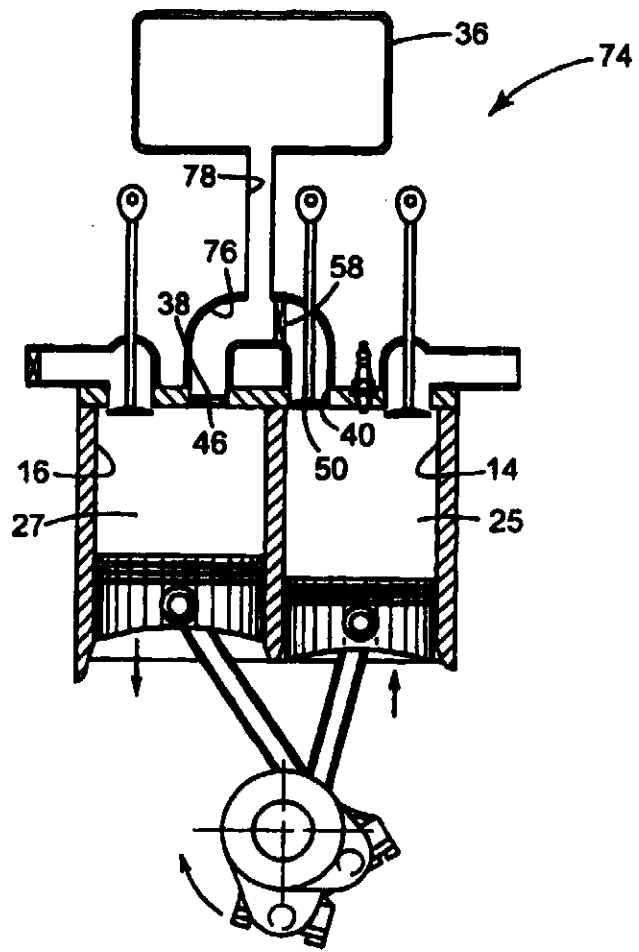


FIG. 3

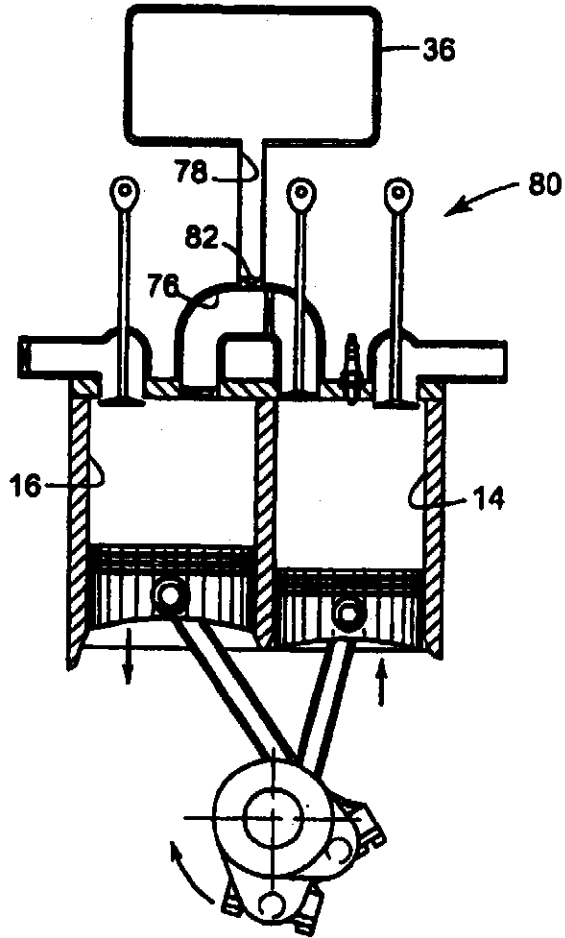


FIG.4

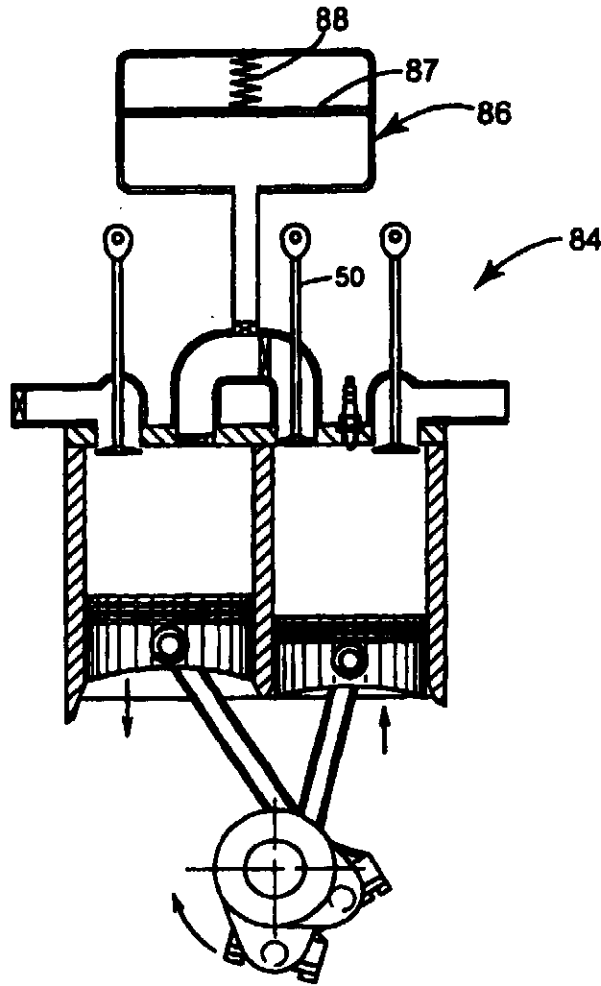


FIG. 5

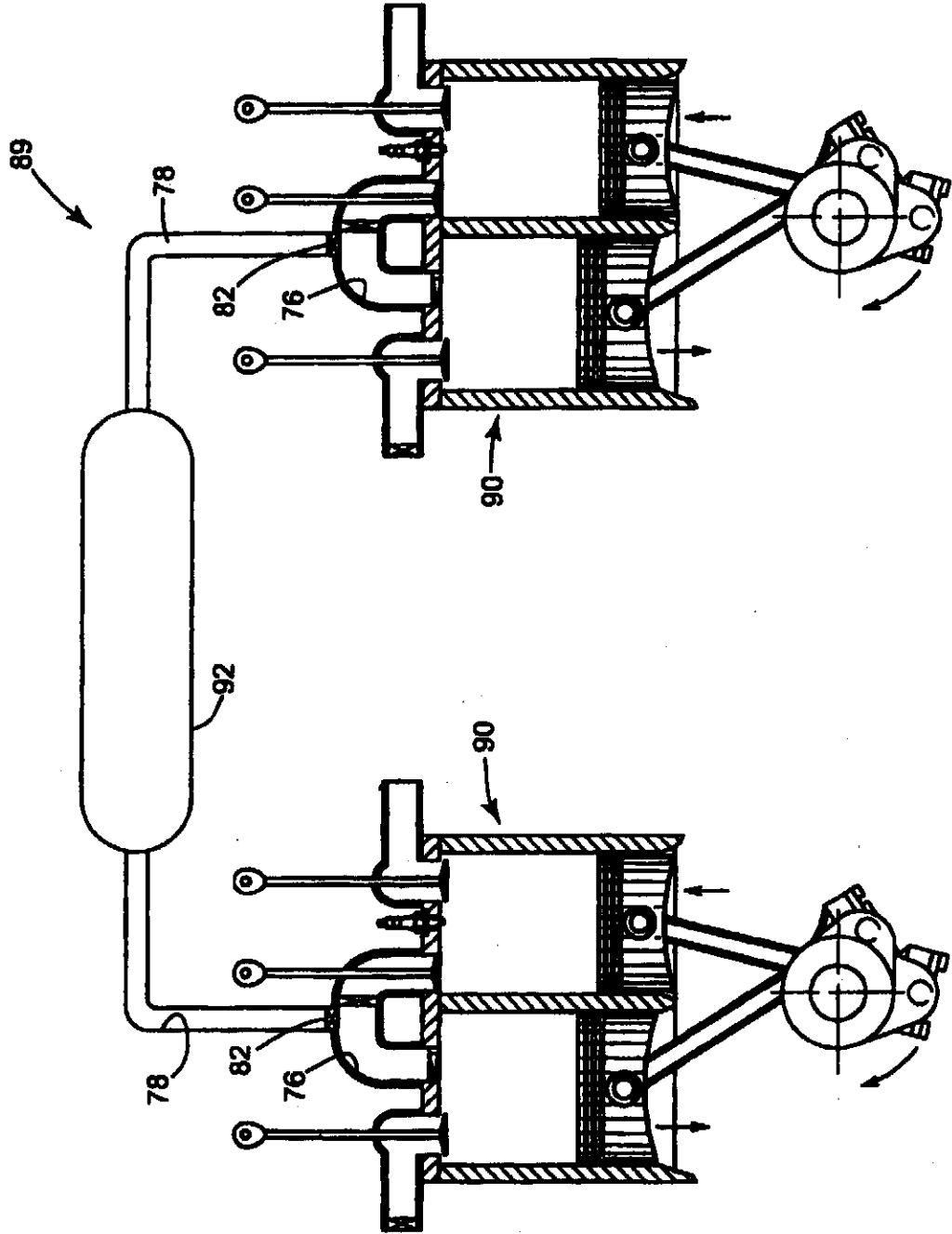


FIG. 6

